



## HS752 Proxy Feed Level Control – 1/2HP 115V, 1HP 230V

### General Installation Notes:

Make sure that power is disconnected from system prior to servicing.

Installation of this equipment and related OEM equipment should be in accordance with these instructions, OEM's installation instructions and local codes (if applicable). Failure to follow specified instructions may cause damage to equipment and/or personal injury or death.

Take special note of any Warnings or Safety Decals on the equipment and in manuals.

Always wear protective clothing and any applicable Personal Protective Equipment (Safety Glasses and/or Ear Plugs) when working with the equipment.

Discarded materials, equipment and boxes should be recycled in accordance with local and national codes.

Unless otherwise specified, all Feed Delivery Systems (Diameters) are installed similarly.

**Note: Switch Assembly is to be wired in accordance with all applicable local and national electrical wiring codes. All wiring sizes and fuse capacities are to be sized according to applicable electrical code specifications or other regulations.**

### Safety Instructions:

Read all safety messages in this manual and on equipment safety decals. Follow recommended precautions and safe operating practices.

Ground all electrical equipment for safety.

Ground all non-current carrying metal parts to guard against electrical shock.

Always keep safety decals in good condition and replace missing or damaged decals.

### **Do not connect rigid conduit to the enclosure.**

#### Overview:

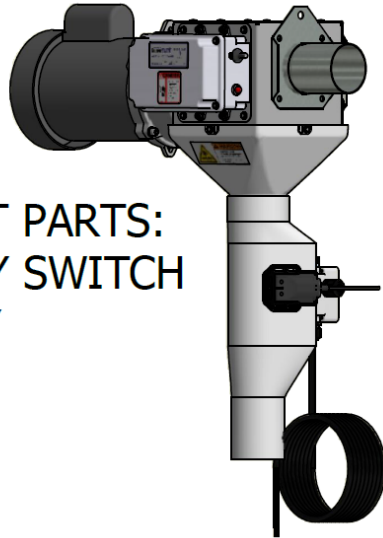
The GrowerSELECT HS752 Feed Level Control switch assembly is used as direct replacement for OEM control unit applications. The HS752 is designed for use with a flexible auger feed system where control of an auger drive motor is required. This switch is used to control the auger drive motor by turning off the power when feed is present and turning on the power when feed has been removed from the control unit housing.

*The sensitivity of the electrical switch is not adjustable.*

**Installation:**

1. (Figure 1) Illustrates a typical installation example of the HS752 Feed Level Control unit to a HS593 or other OEM Control Units.

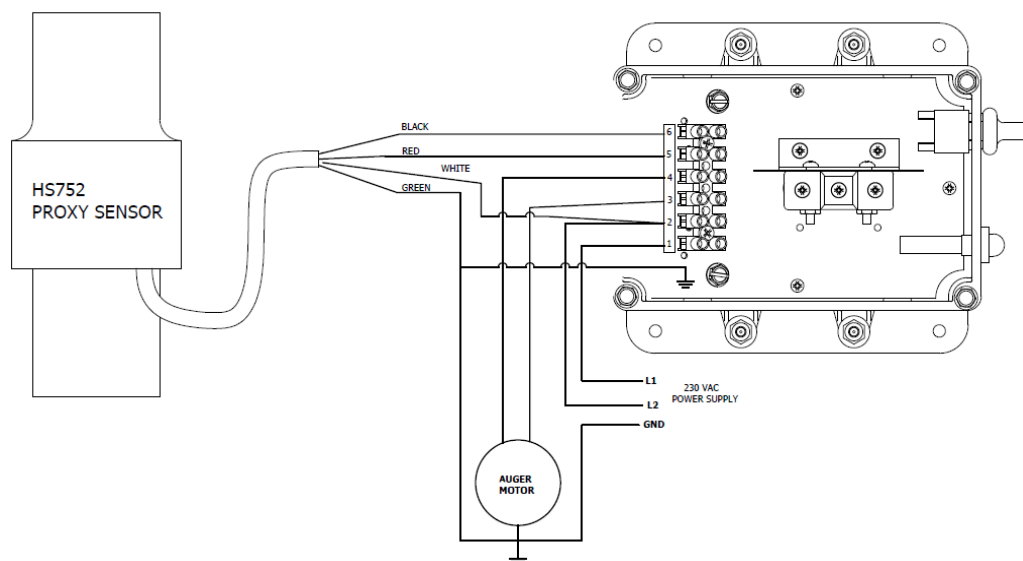
**REPLACEMENT PARTS:  
EL1189 PROXY SWITCH  
EL1008 RELAY**



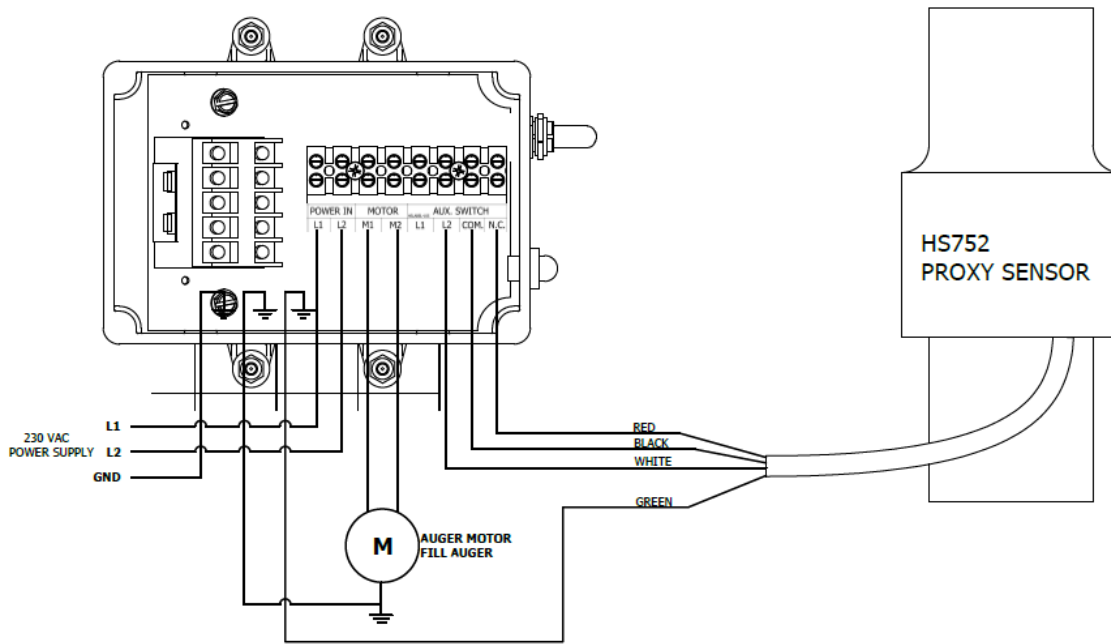
**FIGURE 1**

2. See instructions for external wiring for single phase operation.
3. When connecting wire from equipment to terminal strip, remove no more than ¼” of insulation from end of wire. Be sure there are no stray wire strands before inserting wire into terminal strip. Insert wire into terminal ¼” and tighten terminal strip set screw.
4. Care should be taken when drilling pilot holes to prevent damage to wires or other components.

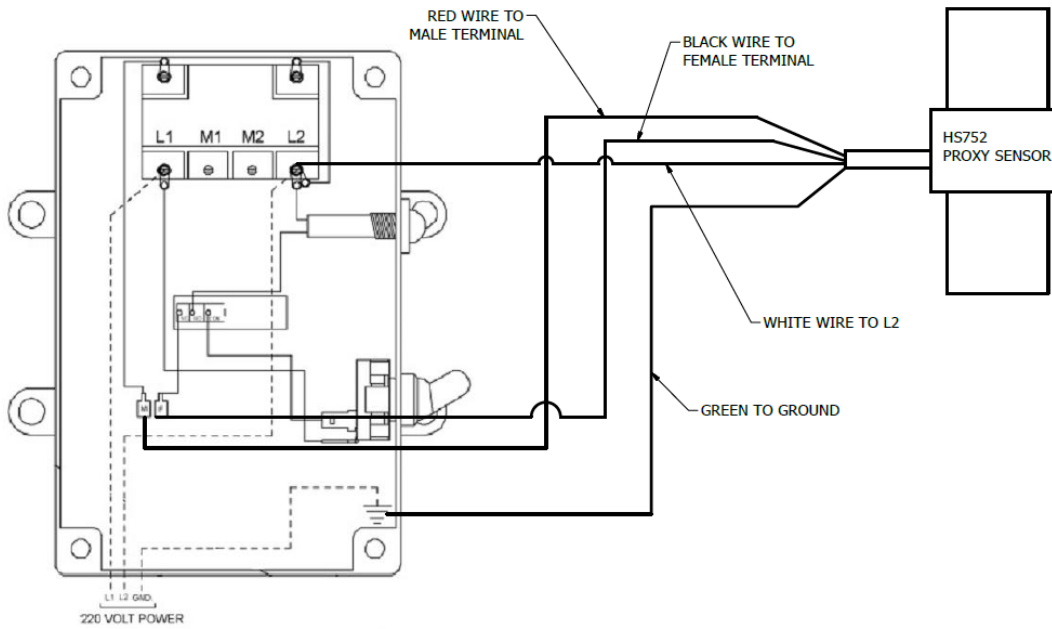
**WIRING INSTRUCTIONS FOR HS593**



**WIRING INSTRUCTION FOR HS693**



**WIRING INSTRUCTION FOR FLX-4496**



This equipment must be installed in accordance with all State and Local Codes and applicable Regulations which should be followed in all cases. Authorities having jurisdiction should be consulted before installations are made.



Hog Slat, Inc.  
PO Box 300  
Newton Grove, NC 28366

Phone: (910) 594-0219  
Fax: (910) 594-1392

[www.hogslat.com](http://www.hogslat.com)

Copyright © 2016 by Hog Slat, Inc.

Part Number: HSMannual-098 Rev IR  
HSART-457  
Market – Hog