

GrowerSELECT WS-F48SW

Panel Replacement Kit 48" Acme™ BDR Fan

General Installation Notes:

Make sure that power is disconnected from system prior to servicing.

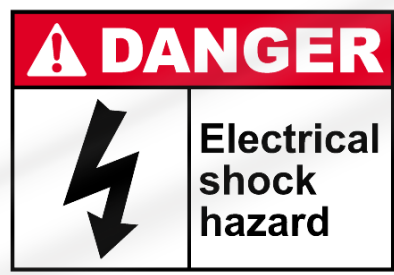
Installation of this equipment and related OEM equipment should be in accordance with these instructions, OEM's installation instructions and local codes (if applicable). Failure to follow specified instructions may cause damage to equipment and/or personal injury or death.

Take special note of any Warnings or Safety Decals on the equipment and in manuals.

Always wear protective clothing and any applicable Personal Protective Equipment (Safety Glasses and/or Ear Plugs) when working with the equipment.

Discarded materials, equipment and boxes should be recycled in accordance with local and national codes.

Safety Instructions:



Warning

Important Safety Information

- Serious Injury or Death is possible
- Read all safety messages in the manual and on equipment safety decals. Follow recommended precaution and safe operating practices
- **Assembly and Installation of this replacement panel kit requires at least two people.**
- Upon installation, Inlet and Exhaust must be kept clear of obstructions. Failure to keep air flow path clear of obstructions could result in poor performance and damage to the fan.
- Ground all electrical equipment for safety.
- Ground all non-current carrying metal parts to guard against electrical shock.
- Always keep safety decals in good condition and replace missing or damaged decals.

Overview:

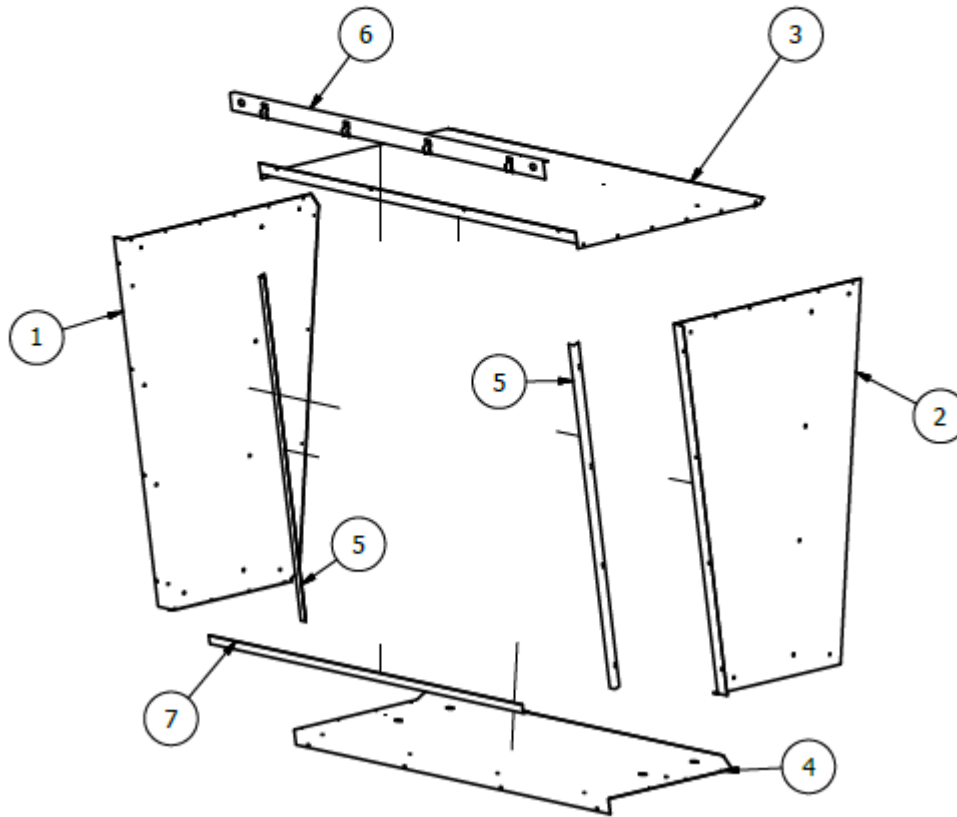
The WS-F48SW is a replacement panel kit for the Acme 48" Galvanized Slant Wall Fan. The kit ships with replacement top, bottom, and side panels along with replacement shutter retainers. The kit is intended to be used when fan housing shows excessive wear but mechanical components remain in good working condition.

BEFORE BEGINNING INSTALLTION ENSURE ALL POWER HAS BEEN DISCONNECTED TO FAN

1. **Starting in the inside of the house remove the shutter from the fan housing.**
2. **Disconnect all wires leading to the motor then remove motor from motor support.**
3. **Remove shutter retainers (top, bottom and sides) from the housing.**
4. **Move to the exterior of the house and remove all fasteners connecting the housing to the Venturi. The Venturi assembly and cone should remove in one piece with all hardware and drive components still intact.**
5. **From the inside of the house remove all fasteners attaching the old housing to the wall.**
6. **On the ground assemble the new housing as shown below in Figure 1 with supplied fasteners.**
7. **Place the newly assembled housing into the framed opening of the wall and secure with previously removed fasteners.**
8. **From the outside of the house insert the Venturi assembly into the new housing and secure with supplied fasteners.**
 - *Note: Minor adjustment of hole locations may be required by drilling 3/16" pilot hole depending on the age and vintage of the fan.*
9. **Return to the inside of the house and attach new shutter retainers.**
10. **Attach motor to motor support using original fasteners.**
11. **Insert power cable through hole on the top housing panel and attach power connection to motor.**
12. **Finally re-insert the shutter into the new housing and reconnect power after ensuring there are no obstructions in propeller path.**

Figure 1

PARTS LIST			
ITEM	QTY	PART NUMBER	DESCRIPTION
1	1	WS-F48SW-1A	PANEL, HOUSING RIGHT
2	1	WS-F48SW-2A	PANEL, HOUSING LEFT
3	1	WS-F48SW-3A	PANEL, HOUSING TOP
4	1	WS-F48SW-4A	PANEL, HOUSING BOTTOM
5	2	WS-F48SW-6A	RETAINER, SHUTTER SIDE
6	1	WS-F48SW-7A	RETAINER, SHUTTER TOP
7	1	WS-F48SW-8A	RETAINER, SHUTTER BOTTOM



DISCLAIMER: The ACME Shutter for the 48" Slant Wall Housing is not included in the assembly.



This equipment must be installed in accordance with all State and Local Codes and applicable Regulations which should be followed in all cases. Authorities having jurisdiction should be consulted before installations are made.



**Hog Slat, Inc.
PO Box 300
Newton Grove, NC 28366**

**Phone: (910) 594-0219
Fax: (910) 594-1392**

www.hogslat.com

Copyright © 2016 by Hog Slat, Inc.

Part Number: HSMANUAL-096 Rev IR
HSART-194
Market: Poultry

