

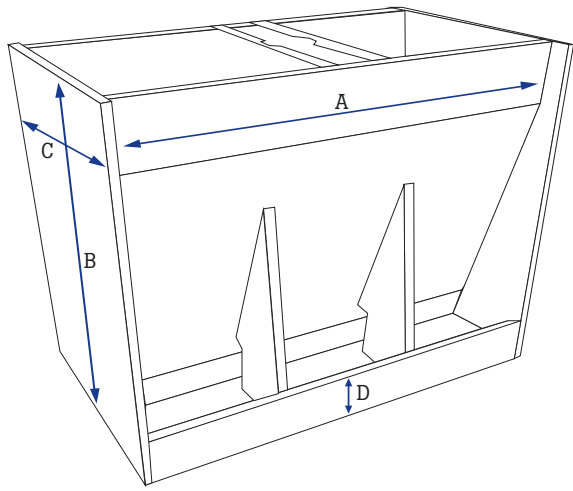


# Time-Tested Design

For over 25 years, Hog Slat's dry feeders have set the benchmark for efficient feed conversion. Feeder design proven on farms like yours, we offer two different series of feeders.

Built from nickel-based 304 stainless steel; the Platinum Series 300 feeders offer unsurpassed corrosion resistance in any environment or conditions.

Chromium-based 400 stainless steel contains less nickel in its make-up; reducing its corrosion resistance compared to 304 stainless. Value Series 400 feeders allow substantial cost reduction while retaining the benefits of Hog Slat's time-proven design.



# WEAN TO FINISH FEEDERS

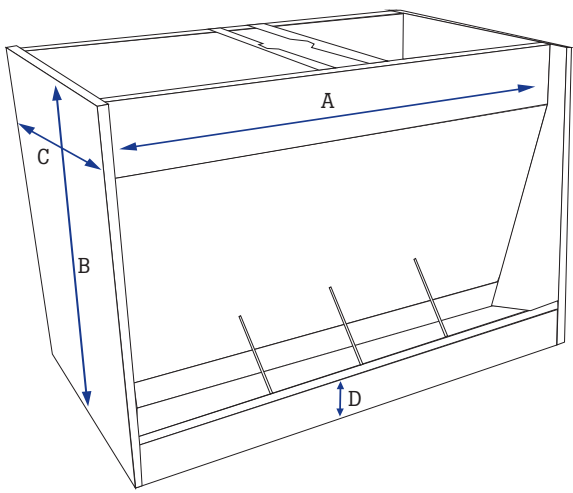
• Stainless Steel • Wide-divided trough for large pigs

## VALUE SERIES 400

ITEM#	DESCRIPTION	NOMINAL DIMENSIONS (IN.)				CAPACITY (LBS.)	SHIPPING WT. (LBS.)
		A	B	C	D		
<b>SINGLE-SIDED</b>							
7409735531	3 HOLE	40	36	15-1/2	5-1/2	380	82
7439735531	3 HOLE	42	36	15-1/2	5-1/2	399	85
7509735541	4 HOLE	50	36	15-1/2	5-1/2	475	99
7569735541	4 HOLE	56	36	15-1/2	5-1/2	530	107
7609735541	4 HOLE	60	36	15-1/2	5-1/2	572	115
7609735551	5 HOLE	60	36	15-1/2	5-1/2	572	117
7709735551	5 HOLE	70	36	15-1/2	5-1/2	665	131
7709735561	6 HOLE	70	36	15-1/2	5-1/2	665	134
<b>DOUBLE-SIDED</b>							
7409330531	3 hole	40	36	24-1/2	5-1/2	437	112
7439330531	3 hole	42	36	24-1/2	5-1/2	458	114
7509330541	4 hole	50	36	24-1/2	5-1/2	546	130
7569330541	4 hole	56	36	24-1/2	5-1/2	610	141
7609330541	4 hole	60	36	24-1/2	5-1/2	657	159
7609330551	5 hole	60	36	24-1/2	5-1/2	657	160
7709330551	5 hole	70	36	24-1/2	5-1/2	763	179
7709330561	6 hole	70	36	24-1/2	5-1/2	763	180

## PLATINUM SERIES 300

ITEM#	DESCRIPTION	NOMINAL DIMENSIONS (IN.)				CAPACITY (LBS.)	SHIPPING WT. (LBS.)
		A	B	C	D		
<b>SINGLE-SIDED</b>							
7409335531	3 hole	40	36	15-1/2	5-1/2	380	79
7439335531	3 hole	42	36	15-1/2	5-1/2	399	82
7509335541	4 hole	50	36	15-1/2	5-1/2	475	93
7569335541	4 hole	56	36	15-1/2	5-1/2	530	101
7609335541	4 hole	60	36	15-1/2	5-1/2	572	113
7609335551	5 hole	60	36	15-1/2	5-1/2	572	113
7709335551	5 hole	70	36	15-1/2	5-1/2	665	128
7709335561	6 hole	70	36	15-1/2	5-1/2	665	128
<b>DOUBLE-SIDED</b>							
7409330531	3 hole	40	36	24-1/2	5-1/2	437	112
7439330531	3 hole	42	36	24-1/2	5-1/2	458	114
7509330541	4 hole	50	36	24-1/2	5-1/2	546	130
7569330541	4 hole	56	36	24-1/2	5-1/2	610	141
7609330541	4 hole	60	36	24-1/2	5-1/2	657	159
7609330551	5 hole	60	36	24-1/2	5-1/2	657	160
7709330551	5 hole	70	36	24-1/2	5-1/2	763	179
7709330561	6 hole	70	36	24-1/2	5-1/2	763	180



# FINISH FEEDERS

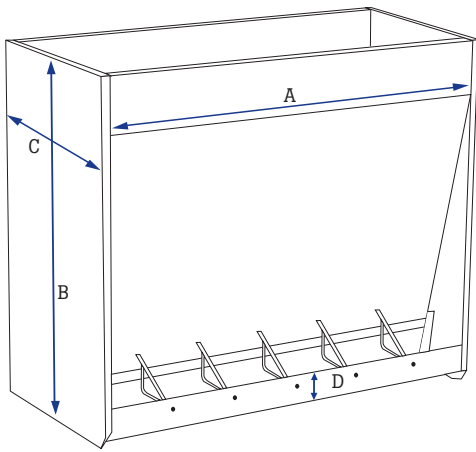
• Stainless Steel • Hemmed edges for safety • Wider feed openings • Deep feed trough with feed saver lip

## VALUE SERIES 400

ITEM#	DESCRIPTION	NOMINAL DIMENSIONS (IN.)				CAPACITY (LBS.)	SHIPPING WT. (LBS.)
		A	B	C	D		
<b>SINGLE-SIDED</b>							
7409715531	3 hole	40	36	15-1/2	5-1/2	380	79
7439715531	3 hole	42	36	15-1/2	5-1/2	399	82
7509715541	4 hole	50	36	15-1/2	5-1/2	475	93
7569715541	4 hole	56	36	15-1/2	5-1/2	530	101
7609715541	4 hole	60	36	15-1/2	5-1/2	572	113
7609715551	5 hole	60	36	15-1/2	5-1/2	572	113
7709715551	5 hole	70	36	15-1/2	5-1/2	665	128
7709715561	6 hole	70	36	15-1/2	5-1/2	665	128
<b>DOUBLE-SIDED</b>							
7409710531	3 hole	40	36	24-1/2	5-1/2	437	112
7439710531	3 hole	42	36	24-1/2	5-1/2	458	114
7509710541	4 hole	50	36	24-1/2	5-1/2	546	130
7569710541	4 hole	56	36	24-1/2	5-1/2	610	141
7609710541	4 hole	60	36	24-1/2	5-1/2	657	159
7609710551	5 hole	60	36	24-1/2	5-1/2	657	160
7709710551	5 hole	70	36	24-1/2	5-1/2	763	179
7709710561	6 hole	70	36	24-1/2	5-1/2	763	180

## PLATINUM SERIES 300

ITEM#	DESCRIPTION	NOMINAL DIMENSIONS (IN.)				CAPACITY (LBS.)	SHIPPING WT. (LBS.)
		A	B	C	D		
<b>SINGLE-SIDED</b>							
7409315531	3 hole	40	36	15-1/2	5-1/2	380	79
7439315531	3 hole	42	36	15-1/2	5-1/2	399	82
7509315541	4 hole	50	36	15-1/2	5-1/2	475	93
7569315541	4 hole	56	36	15-1/2	5-1/2	530	101
7609315541	4 hole	60	36	15-1/2	5-1/2	572	113
7609315551	5 hole	60	36	15-1/2	5-1/2	572	113
7709315551	5 hole	70	36	15-1/2	5-1/2	665	128
7709315561	6 hole	70	36	15-1/2	5-1/2	665	128
<b>DOUBLE-SIDED</b>							
7409310531	3 hole	40	36	24-1/2	5-1/2	437	112
7439310531	3 hole	42	36	24-1/2	5-1/2	458	114
7509310541	4 hole	50	36	24-1/2	5-1/2	546	130
7569310541	4 hole	56	36	24-1/2	5-1/2	610	141
7609310541	4 hole	60	36	24-1/2	5-1/2	657	159
7609310551	5 hole	60	36	24-1/2	5-1/2	657	160
7709310551	5 hole	70	36	24-1/2	5-1/2	763	179
7709310561	6 hole	70	36	24-1/2	5-1/2	763	180



# NURSERY FEEDERS

• Stainless Steel • Full dividers prevent laying in trough

## VALUE SERIES 400

ITEM#	DESCRIPTION	NOMINAL DIMENSIONS (IN.)				CAPACITY (LBS.)	SHIPPING WT. (LBS.)
		A	B	C	D		
<b>SINGLE-SIDED</b>							
7309715550	5 hole	30	31	10-1/2	3	106	41
7369715560	6 hole	36	31	10-1/2	3	127	46
<b>DOUBLE-SIDED</b>							
7309710550	5 hole	30	31	17-1/4	3	210	58
7369710560	6 hole	36	31	17-1/4	3	252	65

## PLATINUM SERIES 300

ITEM#	DESCRIPTION	NOMINAL DIMENSIONS (IN.)				CAPACITY (LBS.)	SHIPPING WT. (LBS.)
		A	B	C	D		
<b>SINGLE-SIDED</b>							
7309315550	5 hole	30	31	10-1/2	3	106	42
7369315560	6 hole	36	31	10-1/2	3	127	48
<b>DOUBLE-SIDED</b>							
7309310550	5 hole	30	31	17-1/4	3	210	59
7369310560	6 hole	36	31	17-1/4	3	252	66

# WET/DRY FEEDERS

Welded of 16 ga. 304 Stainless Steel. The adjustment mechanism is constructed of 14 ga. with 12 ga. blocking panels. Precise management of the feed shelf is provided by a special version of our proven Select-A-Flow adjustment.

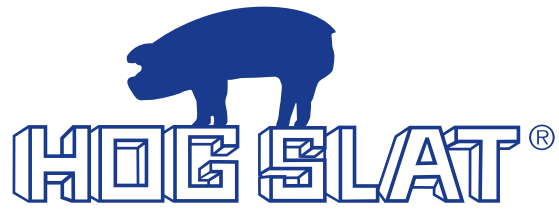
ITEM#	DESCRIPTION
7310300500	30" Wet/Dry Feeder w/ 2 Nipples (304)
7450380500	45" Wet/Dry Feeder w/ 3 Nipples (304)
7660300500	60" Wet/Dry Feeder w/ 4 Nipples (304)
7640320500	64" Wet/Dry Feeder w/ 4 Nipples (304)
7720300500	72" Wet/Dry Feeder w/ 5 Nipples (304)
7830300500	84" Wet/Dry Feeder w/ 6 Nipples (304)
2050110100	Feeder bracket for perpendicular placement in fence line
2020750100	Universal Bracket for standard in-line placement



### AccuCrank™

Hog Slat's new AccuCrank gives producers precise feeder adjustment to reduce feed wastage.

- Screw adjustment moves the feed gate 1/16 of an inch per revolution, allowing fine-tuned feed gate positioning.
- Positive lock slots prevents pigs from wiggling the slide gate out of adjustment.



[www.hogslat.com](http://www.hogslat.com)

1-800-949-4647