

AS-57FMH

Flush Mount Kit AS-57EBDBP





Table of Contents

GrowerSELECT General Page	3
Safety	4
Warning Labels	4
Installation	5
Operation Safety	5
Maintenance Safety	5
Installation	6
Framing	6
Assembly.....	7
Hog Slat Limited Warranty	15



GrowerSELECT General Page

General Installation Notes:

Make sure that power is disconnected from system prior to servicing.

Installation of this equipment and related OEM equipment should be in accordance with these instructions, OEM's installation instructions and local codes (if applicable). Failure to follow specified instructions may cause damage to equipment and/or personal injury or death.

Take special note of any Warnings or Safety Decals on the equipment and in manuals.

Always wear protective clothing and any applicable Personal Protective Equipment (Safety Glasses and/or Ear Plugs) when working with the equipment.

Discarded materials, equipment and boxes should be recycled in accordance with local and national codes.

Safety Instructions:

Read all safety messages in this manual and on equipment safety decals. Follow recommended precautions and safe operating practices.

Ground all electrical equipment for safety.

Ground all non-current carrying metal parts to guard against electrical shock.

Always keep safety decals in good condition and replace missing or damaged decals.

Safety

Warning Labels

Warning Decals have been placed on the equipment to warn of potentially dangerous situations. Care should be taken to keep this information intact and easy to read at all times. Replace missing or damaged safety signs.

Safety–Alert Symbol

This is a safety–alert symbol. When you see this symbol on your equipment, be alert to the potential for personal injury. GrowerSelect equipment is designed to be installed and operated as safely as possible...however, hazards do exist.



Safety decals should be read and understood thoroughly by individuals within the local area of the fan. Safety decals should be visible from both the front and back of the fan. Should a decal be missing or damaged, please contact Hog Slat Inc. for a free replacement:

Hog Slat Inc.
 206 Fayetteville St.
 Newton Grove, NC 28366
 Toll Free: 800-949-4647
 Local: 910-594-0219

The below safety decal should be represented and visible on both the front and back sides of the fan. This label is identified by the HSLABEL-080 part number in the lower right corner.

WARNING – FLYING OBJECTS AND ROTATING PARTS

Ensure fan guards are in place during operation.
 Securely tighten propeller to shaft to avoid slipping.
 Disconnect power supply for inspection or service when guards are removed and personnel are exposed to propeller.

WARNING – HIGH VOLTAGE

Disconnect electrical power before inspecting or servicing equipment unless maintenance instructions specifically states otherwise.
 Ground all electrical equipment for safety.
 All electrical wiring must be done by a qualified electrician in accordance with local and national electrical codes.
 Ground all non-current carrying metal parts to guard against electrical shock. With the exception of motor overload protection, electrical disconnects and over current protection are not supplied with the equipment.



Installation

Prior to any installation product should be inspected for any damage caused during shipping. Any damage found should be documented and communicated to liable parties.

Operation Safety

When fan is in operation no attempt should be made to service or interact with parts from the fan. Any attempt to interact with fan parts while the fan is operating could result in injury. Inlet and exit guards and or shutters are in place to help prevent foreign objects from entering inside the outer perimeter of the housing. If maintenance to the fan is required, interrupt the source of power to the motor and allow propeller to come to a complete stop before moving forward with any efforts to service.

Maintenance Safety

Air Storm Fans are designed and built with operator safety in mind. Some safeguards must be disassembled or removed for the parts to be serviced or replaced. As this fan does have moving parts and is supplied with electrical power, steps must be taken to ensure safety around these presented hazards.

READ THESE INSTRUCTIONS BEFORE SERVICE OR PART REPLACEMENT

1. Read and understand the operating manual before trying to install or operate Air Storm Fans.
2. Power supply should be turned OFF and LOCKED OUT for service to motor and electrical components. Use **CAUTION** in checking voltage or other procedures requiring power to be ON.
3. DO NOT attempt to bypass any safety features or devices to operate the fan.
4. Keep fan clean of all debris that may collect on the motor, prop, and any bearings, belts, or pulleys.
5. Use **CAUTION** in working around all moving parts of the fan.

Fan guards or shutters must be in place before fan can be safely started and operational.

Installation

Framing

The rough in opening for the fan is an exact measurement that accounts for the heads of fasteners and openings for fan. Ensure there is proper clearance for installation or rough opening may require larger measurements.

Fan Model	Rough Opening (Width x Height)
57" Flush Mount Kit	56.5" X 56.5" (143.5 cm x 143.5 cm)

The AS-57FMH Kit can be installed in two different ways, flush to the outside of the building (shown in Figure 1) or flush to the inside of the building (shown in Figure 2)

FIGURE 1

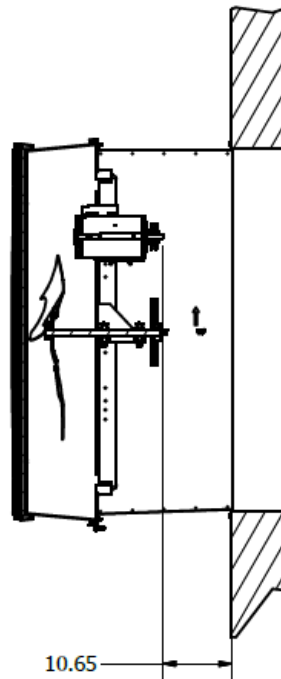
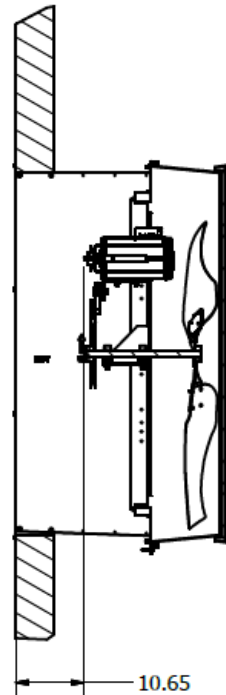
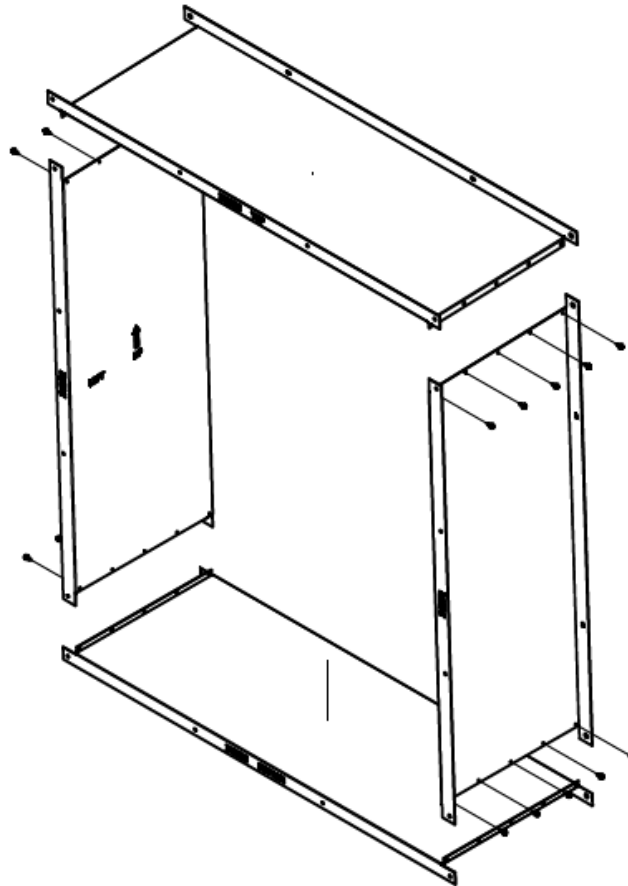


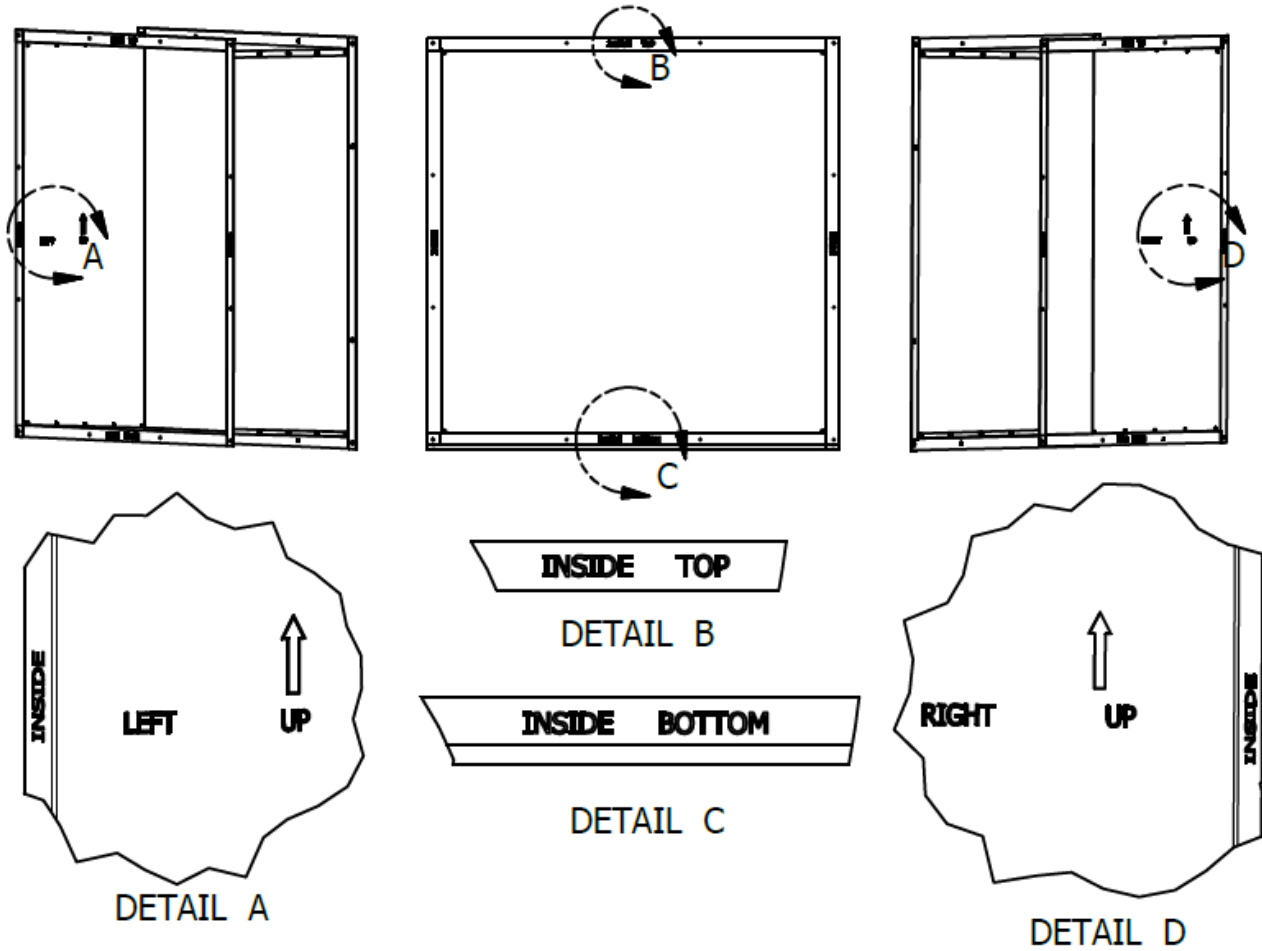
FIGURE 2



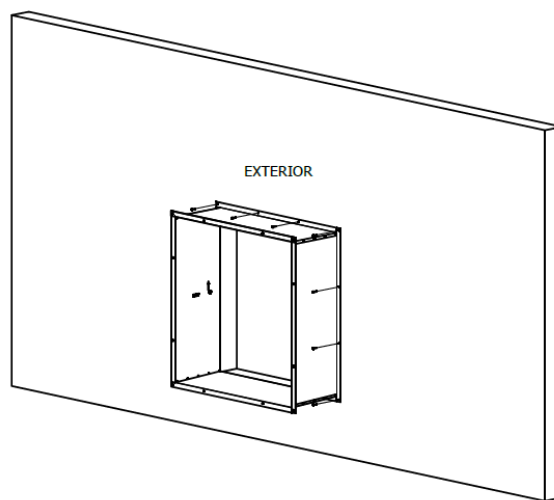
Assembly (FLUSH MOUNT OUTSIDE WALL)

1. Assemble 4 panels as shown outside of the house using supplied hex head $\frac{1}{4}$ -20 x $\frac{3}{4}$ " stainless steel sheet metal screws. Ensure panels are oriented as shown in images below. Etched text as shown in the following images should be used to identify orientation of panels.



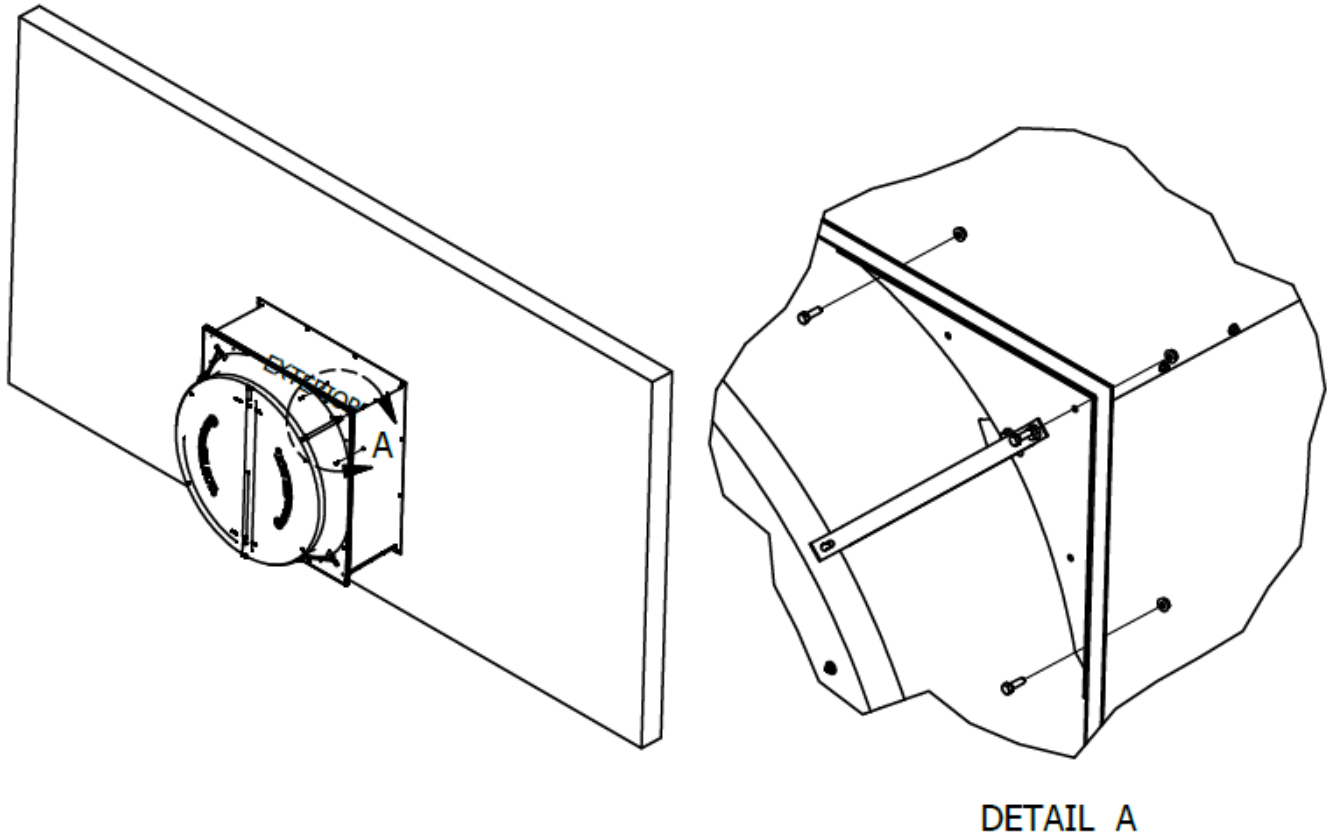


1. Mount assembly to the wall using supplied stainless steel mounting bolts. Assembly should be mounted so flanges with text are placed against the exterior wall.



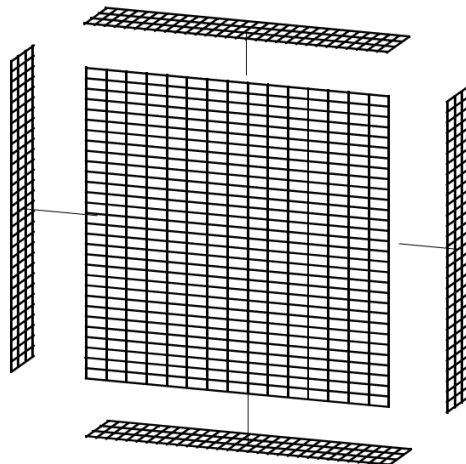
THIS STEP REQUIRES 2 PEOPLE!

2. Mount the partially assembled fan to the housing and secure with supplied stainless bolts and flange nuts.

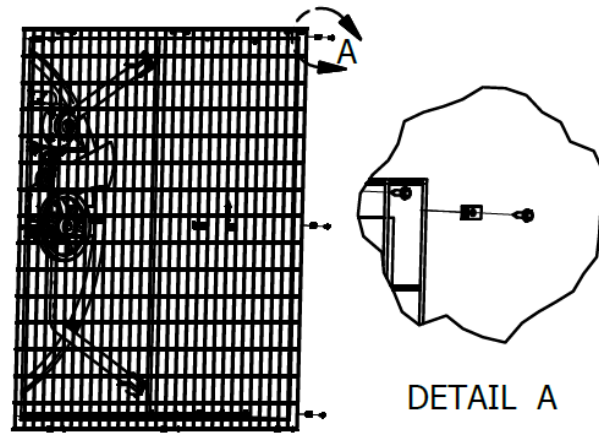


Continue with the fan install as stated in HSMANUAL-135 until interior guard installation (Page 13).

3. Remove the side panels from the Interior guard by removing the retaining clips and separating the side panels from the main panel.



- Using the self-tapping screws, attach guard inside of the wall as shown in the image below. 12 total screws and clips are provided. Evenly space the clips around the interior opening.

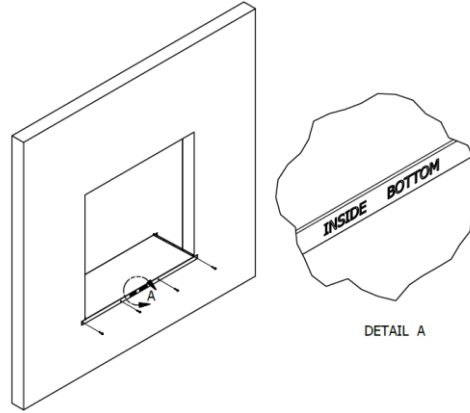


This completes the Flush Mount Kit assembly. Complete fan installation according to HSMANUAL-135

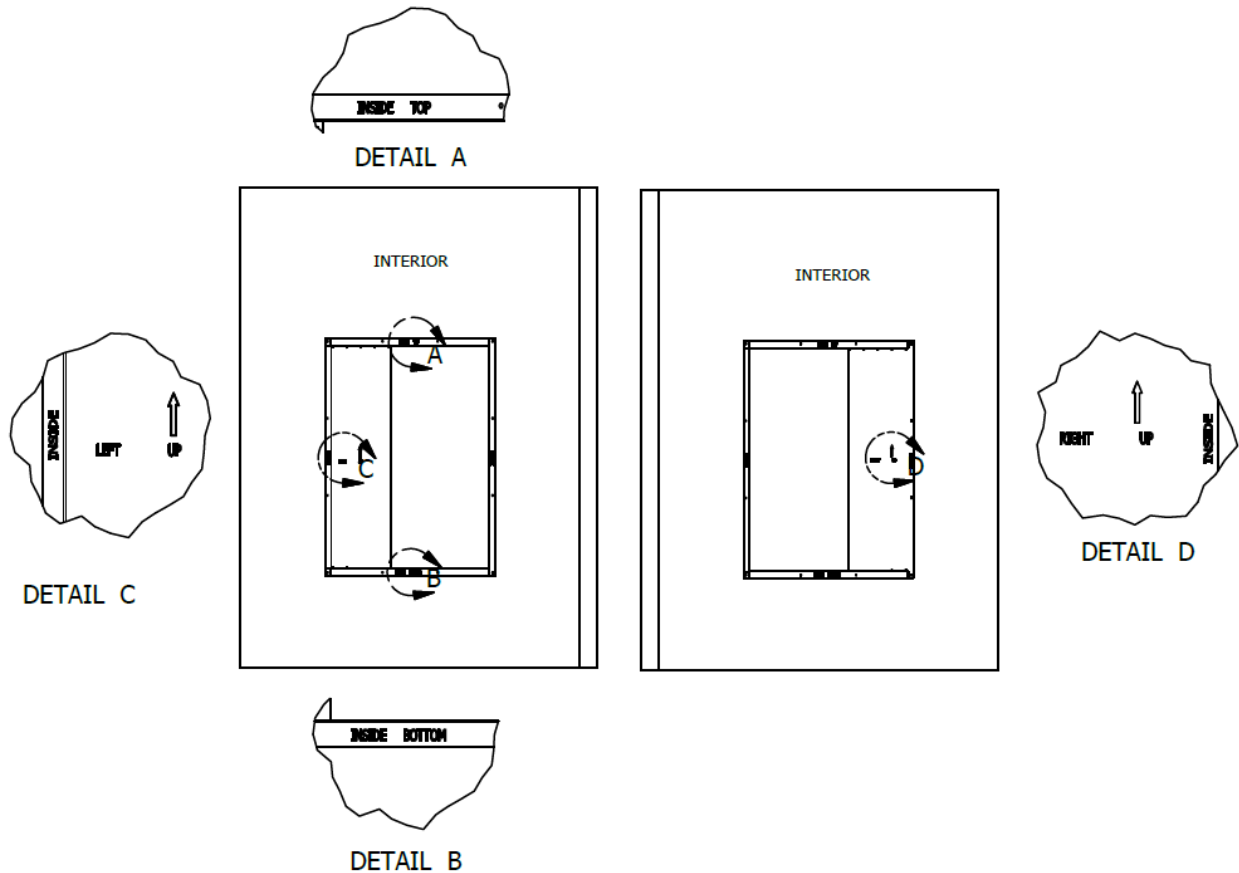
Assembly (FLUSH MOUNT INSIDE WALL)

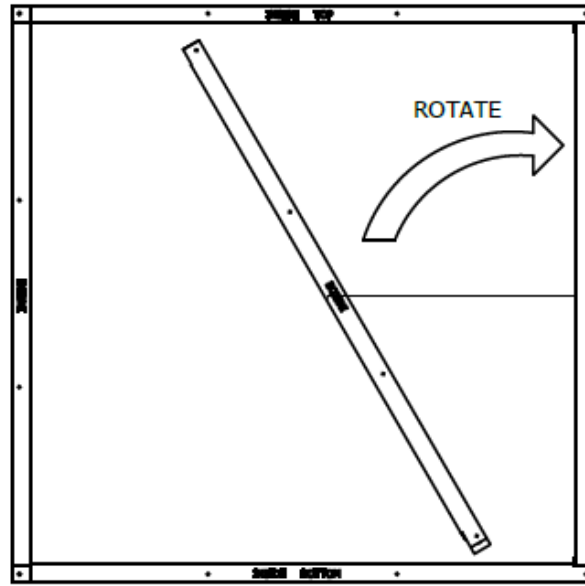
1. From the interior of the house insert the bottom panel into the rough opening and secure with supplied mounting screws. Ensure text orientation matches the image below. The flange should be oriented downward.

THIS STEP REQUIRES 2 PEOPLE!

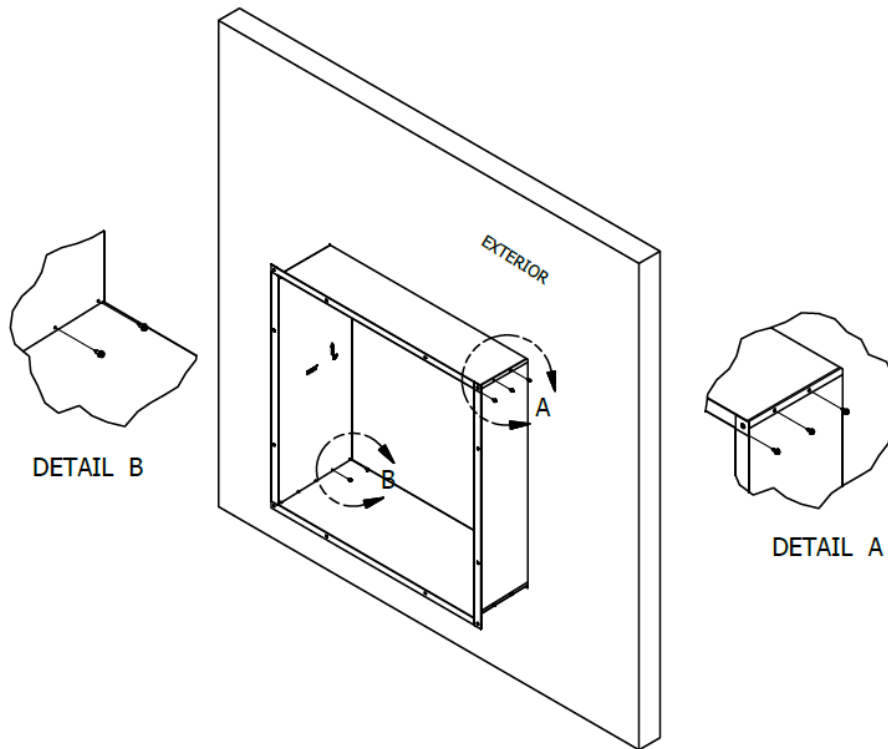


2. Hold top panel in place oriented as shown below. Insert and rotate left panel into place oriented as shown below. Then insert and rotate right panel into place oriented as shown below.

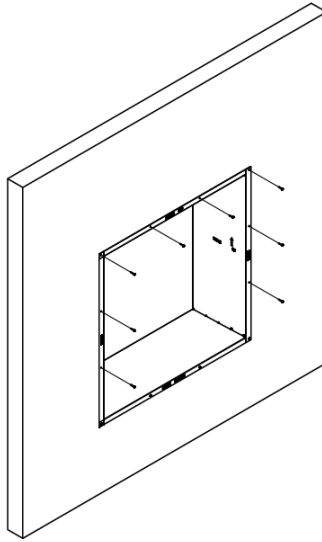




- Using supplied $\frac{1}{4}$ "-20 X $\frac{3}{4}$ " hex head sheet metal screws, secure the top and bottom panels to the side panels. Secure from the outside on all accessible mounting holes, secure from the inside on non-accessible hole locations.

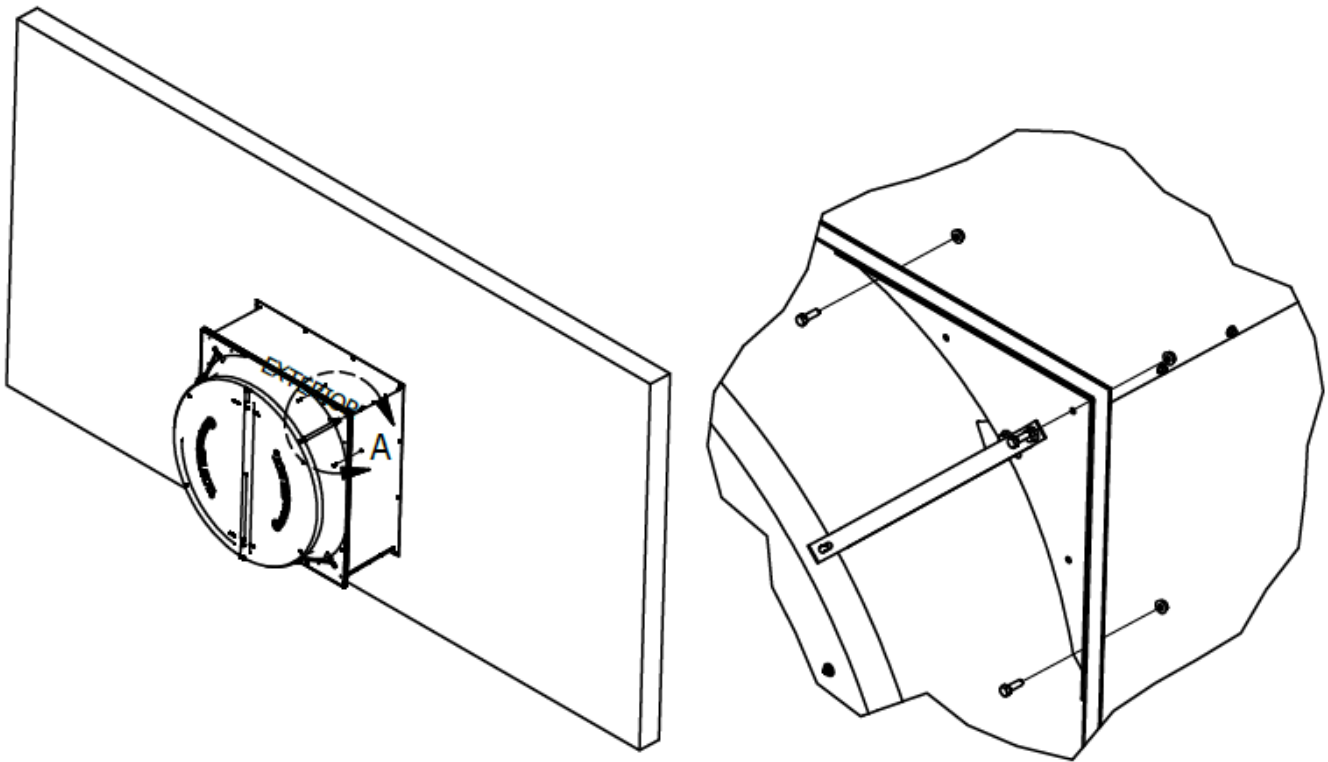


4. Finish installing remaining stainless steel 1/4"-20 X 1.5" mounting screws.



5. Mount the partially assembled fan to the housing and secure with supplied stainless bolts and flange nuts.

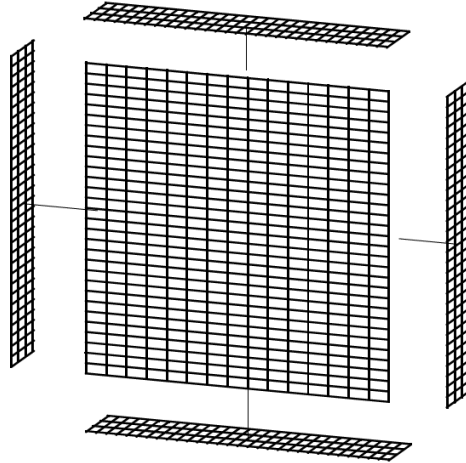
THIS STEP REQUIRES 2 PEOPLE!



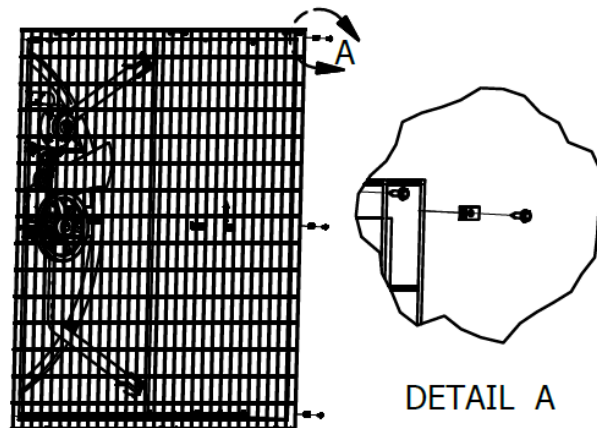
DETAIL A

Continue with the fan install as stated in HSMANUAL-135 until interior guard installation (Page 13).

7. Remove the side panels from the Interior guard by removing the retaining clips and separating the side panels from the main panel.



8. Using the self-tapping screws, attach guard inside of the wall as shown in the image below. 12 total screws and clips are provided. Evenly space the clips around the interior opening.



This completes the Flush Mount Kit assembly. Complete fan installation according to HSMANUAL-135

Hog Slat Limited Warranty

Hog Slat warrants products to be free from defects in material or workmanship for a period of twenty-four (24) months from the date of **original purchase**. Hog Slat will credit, repair, or replace, at its option any product deemed defective within this time period. Labor costs associated with the replacement or repair of the product are not covered by the Seller/Manufacturer.

Conditions and Limitations

1. The product must be installed by and operated in accordance with the instructions published by the **Seller/Manufacturer or Warranty will be void**.
2. Warranty is void if **all components** are not original equipment supplied by the **Seller/Manufacturer**.
3. This product must be purchased from and installed by an authorized retailer/distributor or certified representative thereof or the Warranty will be void.
4. Malfunctions or failure resulting from misuse, abuse, negligence, alteration, accident, or lack of proper maintenance shall not be considered defects under the Warranty.
5. This Warranty applies only to components/systems for the care of poultry and livestock. Other applications in industry or commerce are not covered by this Warranty.
6. This Warranty applies only to the Original Purchaser of the product.

The **Seller/Manufacturer** shall not be liable for any **Consequential or Special Damage** which any purchaser may suffer or claim to suffer as a result of any defect in the product. **“Consequential” or “Special Damages”** as used herein include, but are not limited to, lost or damaged products or goods, costs of transportation, lost sales, lost orders, lost income, increased overhead, labor and incidental costs and operational inefficiencies.

THIS WARRANTY CONSTITUTES THE SELLER/MANUFACTURER'S ENTIRE AND SOLE WARRANTY AND THIS MANUFACTURER EXPRESSLY DISCLAIMS ANY AND ALL OTHER WARRANTIES, INCLUDING, BUT NOT LIMITED TO, EXPRESS AND IMPLIED WARRANTIES AS TO MERCHANTABILITY, FITNESS FOR PARTICULAR PURPOSES SOLD AND DESCRIPTION OR QUALITY OF THE PRODUCT FURNISHED HEREUNDER.

Hog Slat Retailers/Distributors are not authorized to modify or extend the terms and conditions of this Warranty in any manner or to offer or grant any other warranties for GrowerSelect products in addition to those terms expressly stated above. An officer of Hog Slat must authorize any exceptions to this Warranty in writing. The Seller/Manufacturer reserves the right to change models and specifications at any time without notice or obligation to improve previous models.



This equipment must be installed in accordance with all State and Local Codes and applicable Regulations which should be followed in all cases. Authorities having jurisdiction should be consulted before installations are made.



**Hog Slat, Inc.
PO Box 300
Newton Grove, NC 28366**

Phone: (910) 594-0219

Fax: (910) 594-1392

www.hogslat.com

Copyright © 2017 by Hog Slat, Inc.

Part Number: HSMannual-145 Rev IR
HSART-515
Market: Hog & Poultry

