



# FS401 Farmstead Double Hog Feeder

---

## **General Assembly Notes:**

Take special note of any Warnings or Safety Decals on the equipment and in manuals.

Always wear protective clothing and any applicable Personal Protective Equipment (Safety Glasses and/or Ear Plugs) when working with the equipment.

Discarded materials, equipment and boxes should be recycled in accordance with local and national codes.

Some additional hardware has been provided for your convenience.

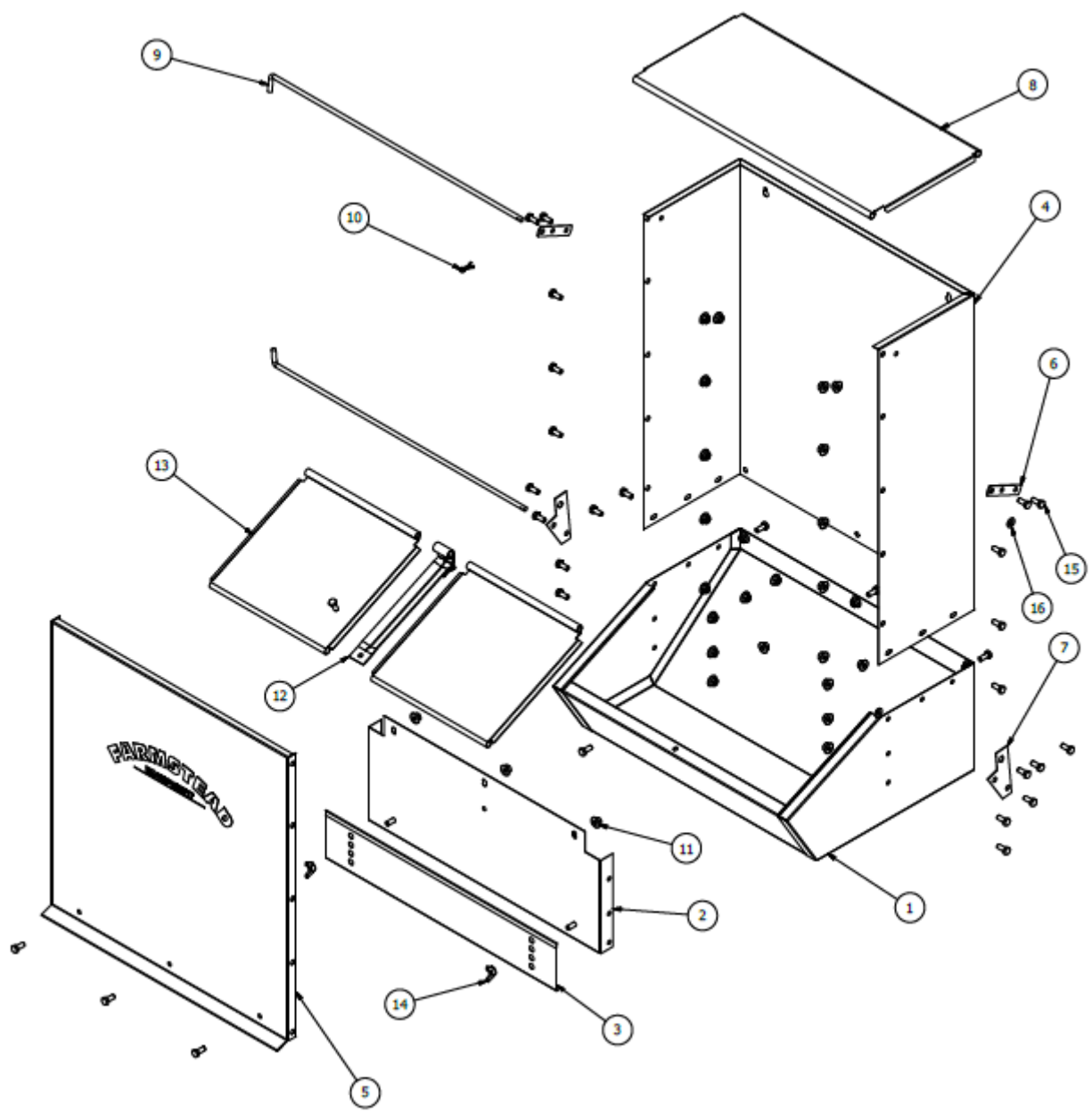
## **Safety Instructions:**

Read all safety messages in this manual and on equipment safety decals. Follow recommended precautions and safe operating practices.

Always keep safety decals in good condition and replace missing or damaged decals.

## **Tools Required:**

- ½" Wrench And ½" Deep Socket



PARTS LIST			
ITEM	QTY	PART NUMBER	DESCRIPTION
1	1	FS401-7	Lower Trough Assembly
2	1	FS401-6	WELDMENT, PANEL, LOWER
3	1	FS401-3	Plate, Feed Adjustment
4	1	FS401-8	Upright, Back and Sides
5	1	FS401-9	Cover, Front
6	2	FS400-1	Hinge, Top
7	2	FS400-2	Bracket, Lid Rod
8	1	FS401-4	Lid, Top
9	2	FS401-10	Rod, Hinge
10	2	C2663	Pin, Cotter 1/8" X 3/4"
11	30	HS722	Nut, 5/16-18 Hex Serrated Flange
12	1	FS401-11	Lid Divider Support Bracket
13	2	FS401-5	Lid, Trough
14	2	606685	Nut, Wing 5/16"-18 Zinc
15	30	60508	Bolt 5/16" X 3/4"
16	2	605800	Washer Flat Zinc 5/16"

## Assembly Instructions:

1. Place FS401-6 into FS401-7 and align holes on both sides. The screws should be facing the front as shown. Tighten a bolt and nut in the two bottom holes with 1/2" socket and wrench.



## Feeders

2. Place FS401-3 on the screws of FS401-6 and secure with wing nuts.



3. Place FS401-8 around the outside of FS401-7 as shown and secure with nuts and bolts except for the front hole on each side. These two holes will be used in the next step.



4. Attach FS400-2 as shown with a nut and bolt in the front holes left open from the last step.



## Feeders

5. Attach FS401-11 with nut and bolt as shown. Make sure the bent end is pointed upward. Also fasten to FS401-6 with nut and bolt.



6. Position FS401-9 to the front of the feeder as shown.



## Feeders

- Secure bracket FS401-2 and FS401-9 with a nut and bolt through the top hole of FS401-2 as shown.



- Similar to Step 7, secure bracket FS401-1 with a nut and bolt as shown.



- Install the feed lids FS400-5 by inserting rod FS401-10 through the upward bent ends as shown. Secure with washer and cotter pin.



## Feeders

10. Attach top lid FS401-4 by inserting rod FS401-10 through one side of the lid as shown. Secure with washer and cotter pin.





**Hog Slat, Inc.  
PO Box 300  
Newton Grove, NC 28366**

**Phone: (910) 594-0219  
Fax: (910) 594-1392**

**[www.hogslat.com](http://www.hogslat.com)**

**Copyright © 2016 by Hog Slat, Inc.**