

HS650 Photohelic® Gauge Replacement

General Installation Notes:

Make sure that power is disconnected from system prior to servicing.

Installation of this equipment and related OEM equipment should be in accordance with these instructions, OEM's installation instructions and local codes (if applicable). Failure to follow specified instructions may cause damage to equipment and/or personal injury or death.

Take special note of any Warnings or Safety Decals on the equipment and in manuals.

Always wear protective clothing and any applicable Personal Protective Equipment (Safety Glasses and/or Ear Plugs) when working with the equipment.

Discarded materials, equipment and boxes should be recycled in accordance with local and national codes.

Note: Negative pressure ventilation controller is to be wired in accordance with all applicable local and national electrical wiring codes. All wiring sizes and fuse capacities are to be sized according to applicable electrical code specifications or other regulations.

Safety Instructions:

Read all safety messages in this manual and on equipment safety decals. Follow recommended precautions and safe operating practices.

Ground all electrical equipment for safety.

Ground all non-current carrying metal parts to guard against electrical shock.

Always keep safety decals in good condition and replace missing or damaged decals.

Replacement Instructions:

1. Disconnect all electrical power to Ventilation Controller.
2. If replacing an Old Style gauge identified by a Gray color terminal block at the back of the gauge, refer to steps 3 through 6 for instructions for properly wiring in the HS650 as a direct replacement.
3. On the existing gauge, label wires as shown in Figure 1 using identifiers of A, B,C,D and E.
4. Disconnect wires from existing gauge.
5. Disconnect clear poly tubing from existing gauge. Note location of each tube before removing from gauge so they can be replaced in the same port on the HS650. Remove existing gauge from enclosure.
6. Install HS650 gauge and attach labeled wires as shown in Figure 2.

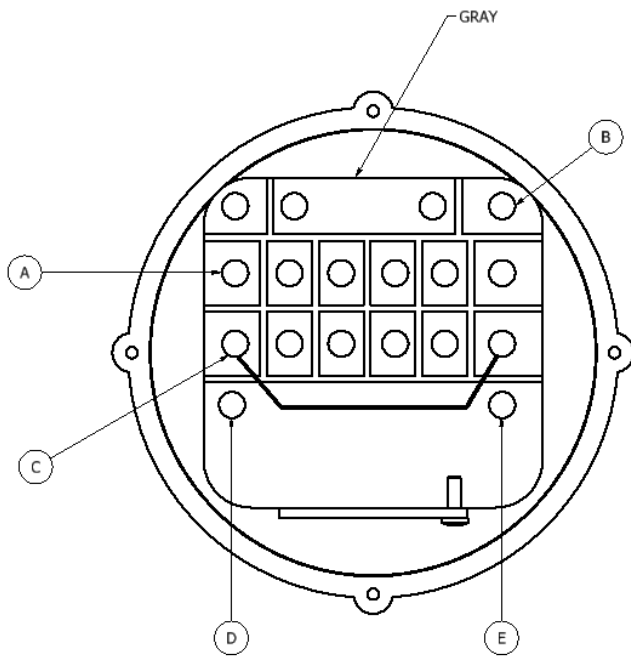


FIGURE 1:
 OLD STYLE GAUGE WITH
GRAY TERMINAL BLOCK
 ON BACK ON UNIT

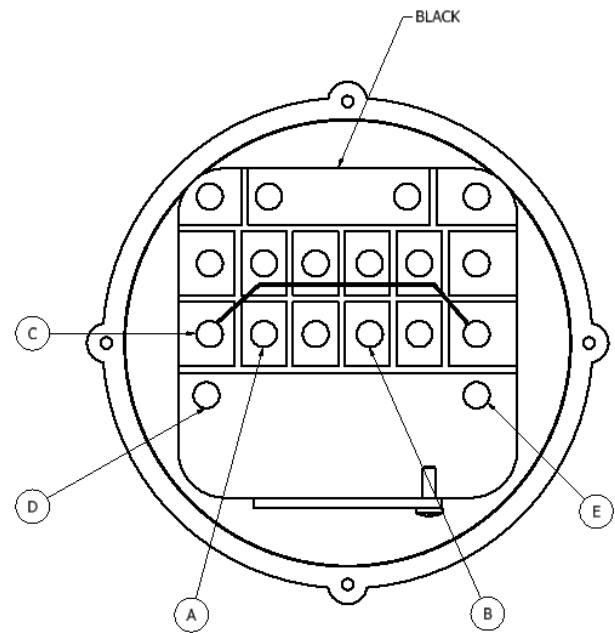


FIGURE 2:
 HS650 GAUGE WITH
BLACK TERMINAL BLOCK
 ON BACK ON UNIT

- The HS650 gauge is provided by the manufacturer with two straight barbed fittings. In conjunction with the two straight barbed fittings, one 90 degree brass fitting is required for LOW PRESSURE inlet location to provide adequate tubing clearance. **FAILURE TO USE THE 90 DEGREE FITTING MAY CAUSE THE TUBE TO PINCH RESULTING IN FALSE READINGS.** If available, remove the existing 90 degree fitting from the “old gauge” and place in the same port location on the HS650. Fitting installation is shown in Figure 3.

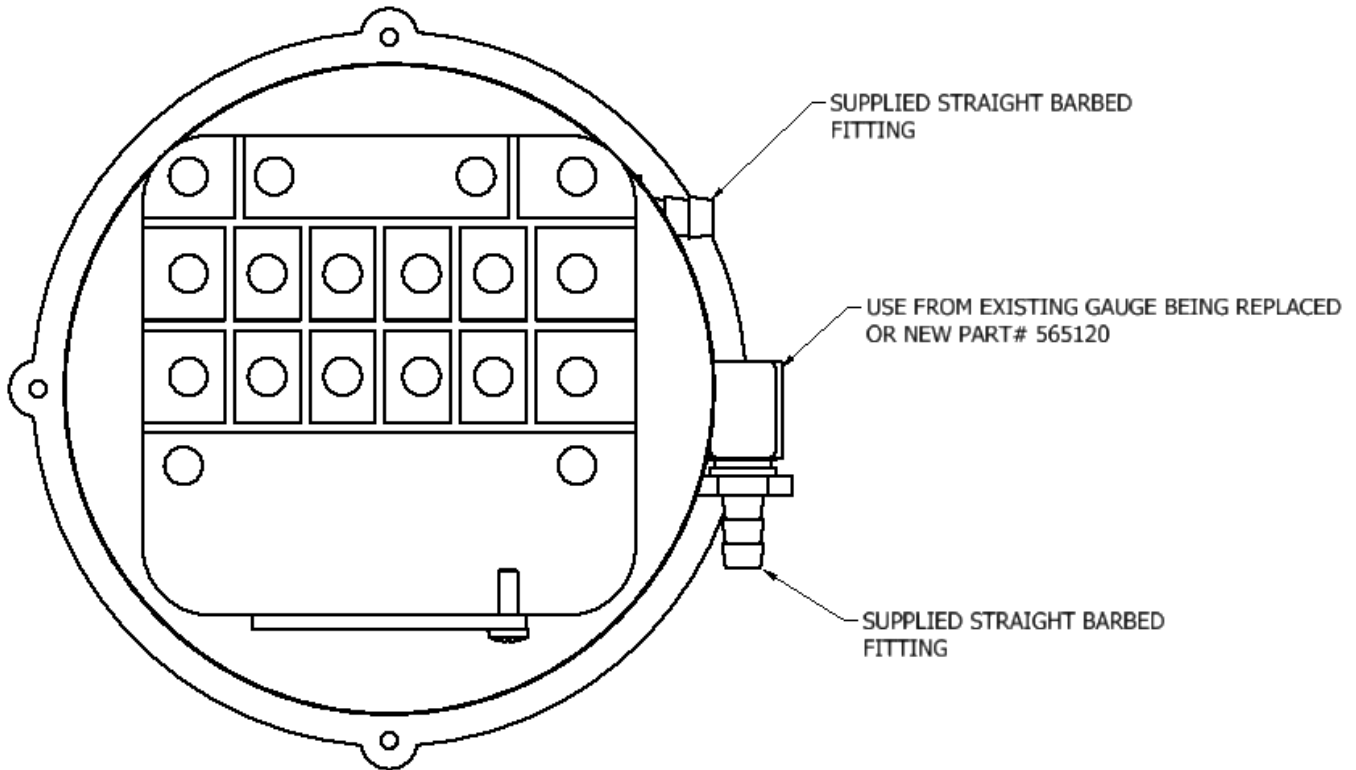


FIGURE 3

This equipment must be installed in accordance with all State and Local Codes and applicable Regulations which should be followed in all cases. Authorities having jurisdiction should be consulted before installations are made.



**Hog Slat, Inc.
PO Box 300
Newton Grove, NC 28366**

Phone: (910) 594-0219

Fax: (910) 594-1392

www.hogslat.com

Copyright © 2014 by Hog Slat, Inc.

Part Number: HSMANUAL-038 Rev A2
HSART-348
Market – Hog & Poultry