

**HOG SLAT<sup>®</sup>**

# **Advantage Crate Installation Manual**



# Identification of Advantage Crate Components

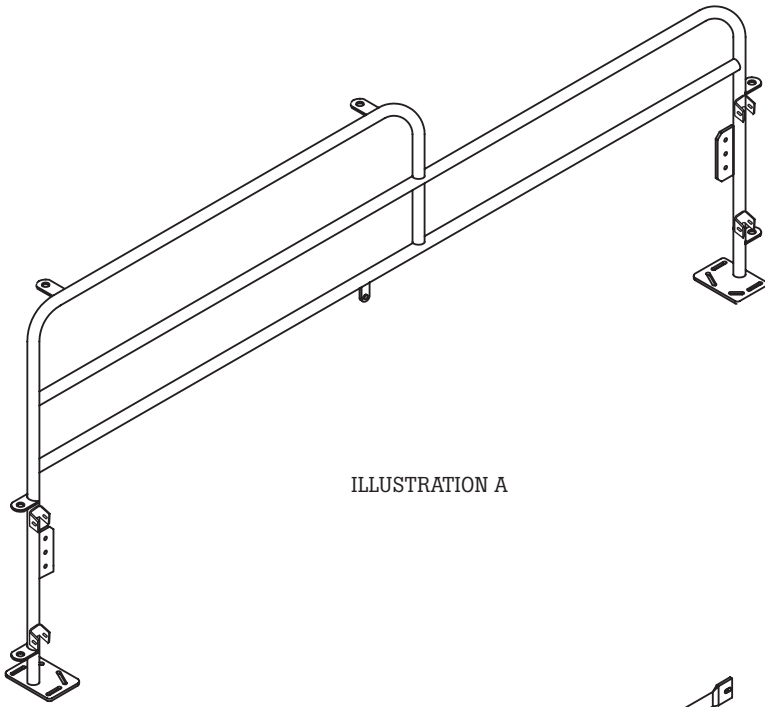


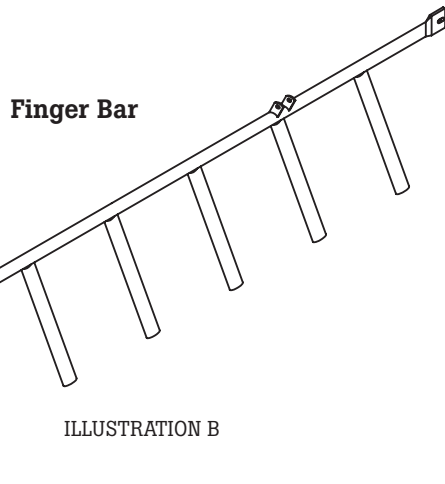
ILLUSTRATION A

## 7' Galvanized Solid Bar Crate

- 1) 1260600200 Right Side
- 1) 1260500200 Left Side

## 7'6" Galvanized Solid Bar Crate

- 1) 1260610200 Right Side
- 1) 1260510200 Left Side



Finger Bar

ILLUSTRATION B

## 7' Galvanized Solid Bar Crate

- 2) 12660420200 Finger Bar

## 7'6" Galvanized Solid Bar Crate

- 1) 1260440200 Left Finger Bar
- 1) 1260430200 Right Finger Bar

### Rear Door

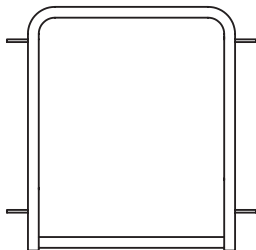


ILLUSTRATION C1

- 1) 1260200200 Rear Door

### Rear Door Panel

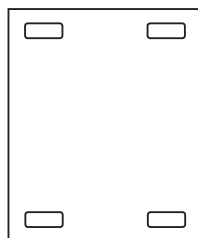


ILLUSTRATION C2

- 1) 1250900700 Rear Door Panel 16-3/4" x 18-5/8"

### Bolt Rump Rail

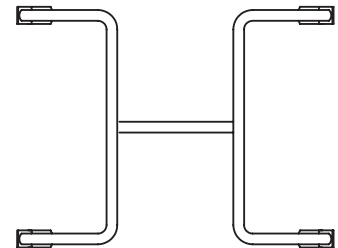


ILLUSTRATION C3

- 1) 1250310200 Bolt-On Rump Rail

**Front Door**

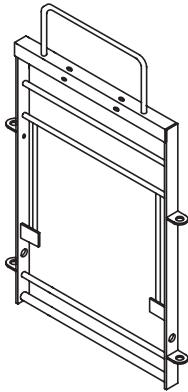


ILLUSTRATION D1

1) 1250261200

**Small Bowl Feeder**

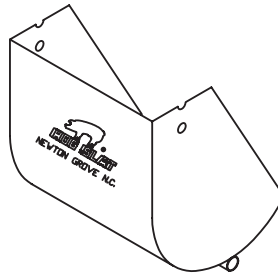
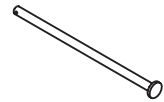


ILLUSTRATION D2

1) 7150040500  
Small Bowl Feeder

**Feeder Rod**



1) 5150020200  
Top

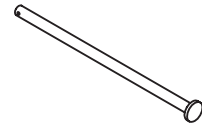


ILLUSTRATION D3

1) 5150010200  
Bottom Feeder Rod, 3/4"

**Top Center Strap**

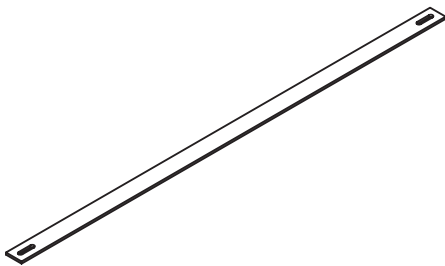


ILLUSTRATION E

1) 1250810200  
Top Center Strap

**Top Bars**

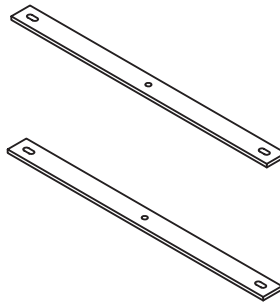


ILLUSTRATION F

2) 1260800200  
Top Bars 20-1/2"

**Chart Plate**

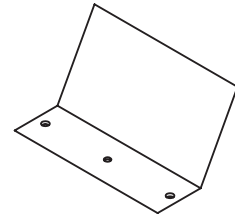


ILLUSTRATION G

1) 100970700  
Chart Plate

**Door Rods**

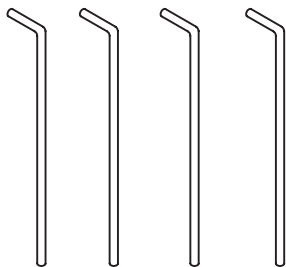


ILLUSTRATION H

4) 1000100200  
Door Rods

**Finger Bar Braces**

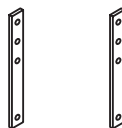


ILLUSTRATION I

2) 1260450200  
Finger Bar Braces

**Anti-Crush Bars**

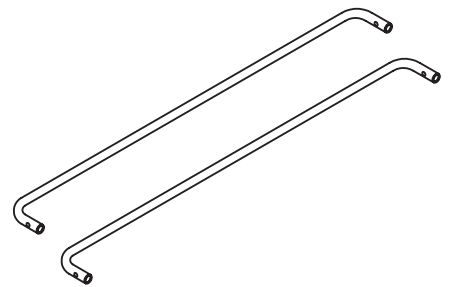


ILLUSTRATION J

2) 1250430200  
Anti-Crush Bars

# Identification of Advantage Crate Components

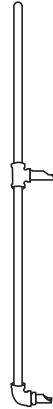


ILLUSTRATION K  
1) 8150620700  
Double Crate Waterer

## 1) 1260980000 Advantage Bolt Package



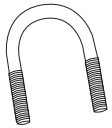
2) 60635 3-1/4" Hairpin Clip



22) 60682 3/8" Zinc Locknut



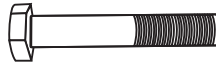
4) 60681 5/16" Zinc Locknuts



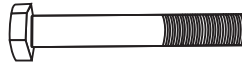
2) 9731240503 5/16" x 1-3/8" Zinc U-Bolt



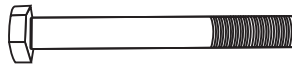
2) 1260890200 Back Up Plate



8) 60515 3/8" x 1" Zinc Bolt



10) 60516 3/8" x 1-1/4" Zinc Bolt



4) 60621 3/8" x 2-1/4" Zinc Bolt



8) 60581 3/8" SS Flat Washer

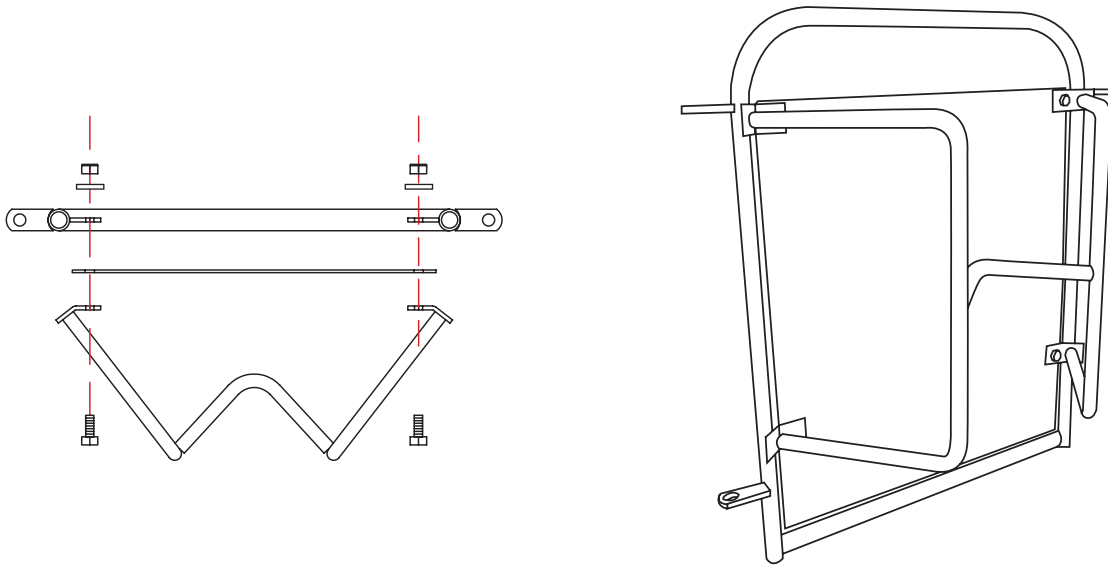


4) 60670 3/8" x 1-1/2" Wide Flat Washer



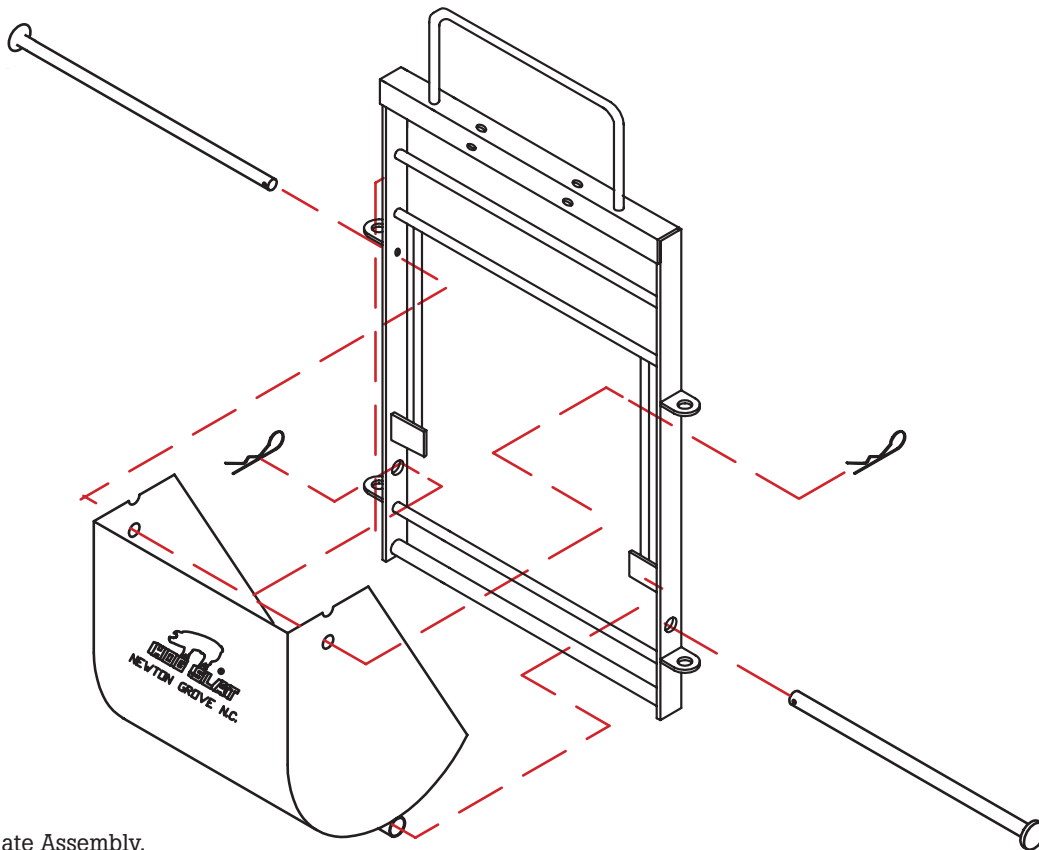
4) 60580 5/16" SS Flat Washer

# Advantage Crate Assembly



A.) Assemble the rear gate by centering the rear door panel (Illustration C2) on the rear door tabs (Illustration C1) and positioning the bolt-on rump rail (Illustration C3) in place.

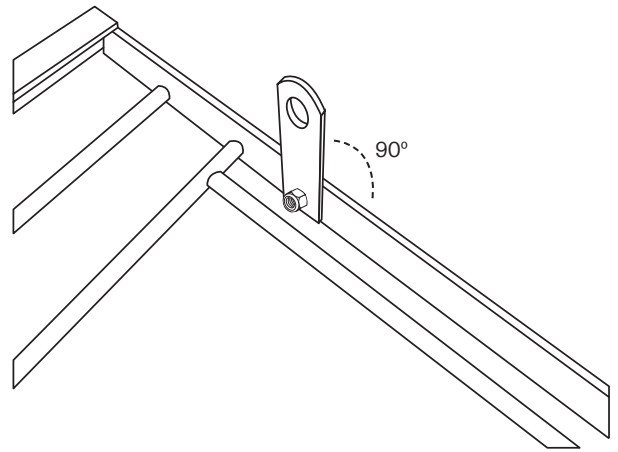
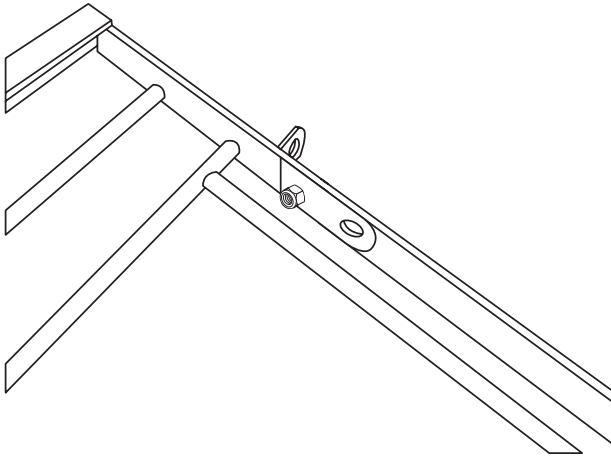
Secure with (4) 3/8" x 1" bolts, 3/8" washers and 3/8" locknuts.



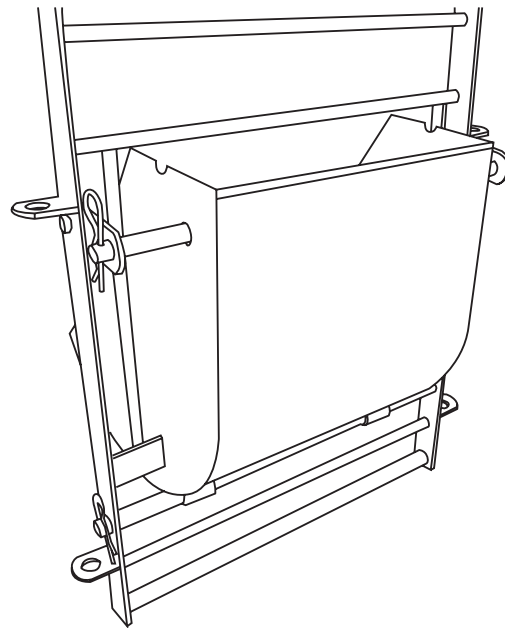
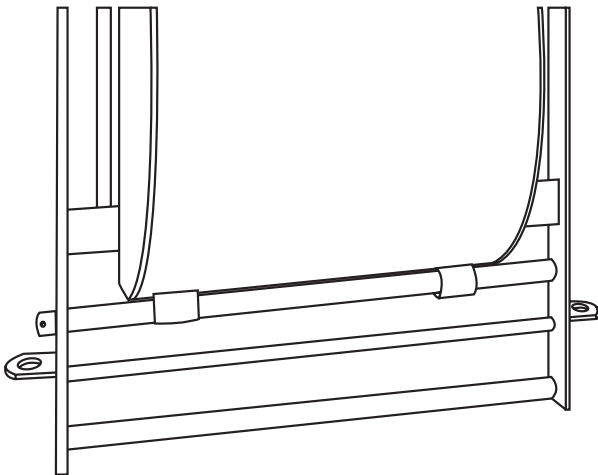
B) Front Gate Assembly.

# Advantage Crate Assembly

---

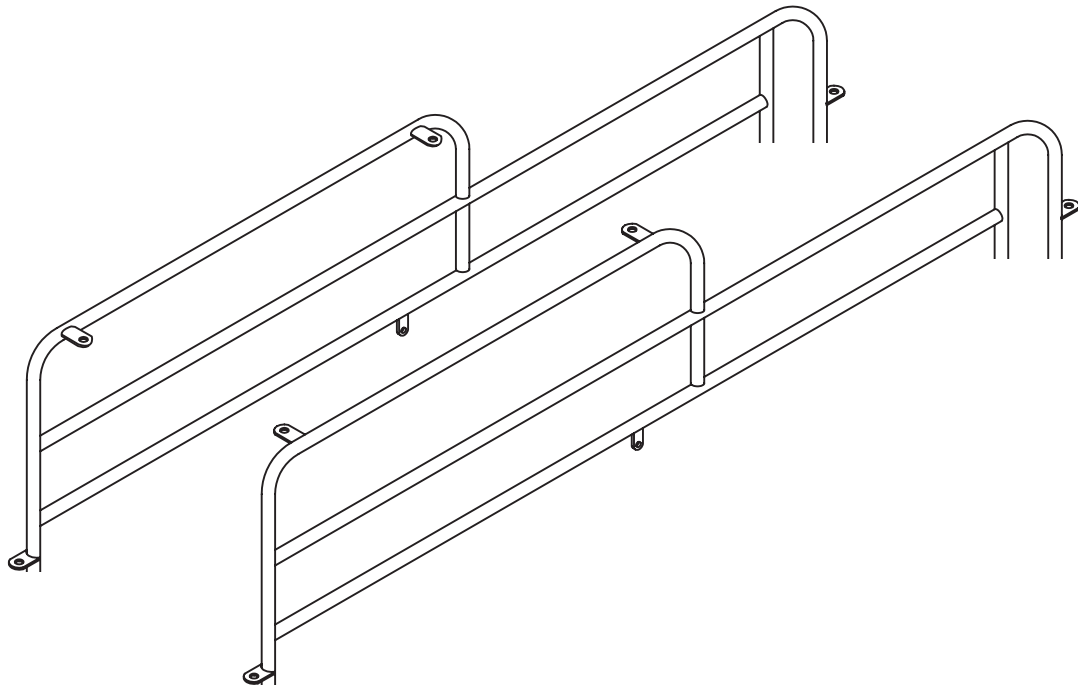


C) Locate two feeder tabs on the front gate (**Illustration D1**), loosen bolts and position at 90° angle to frame, tighten loosely.

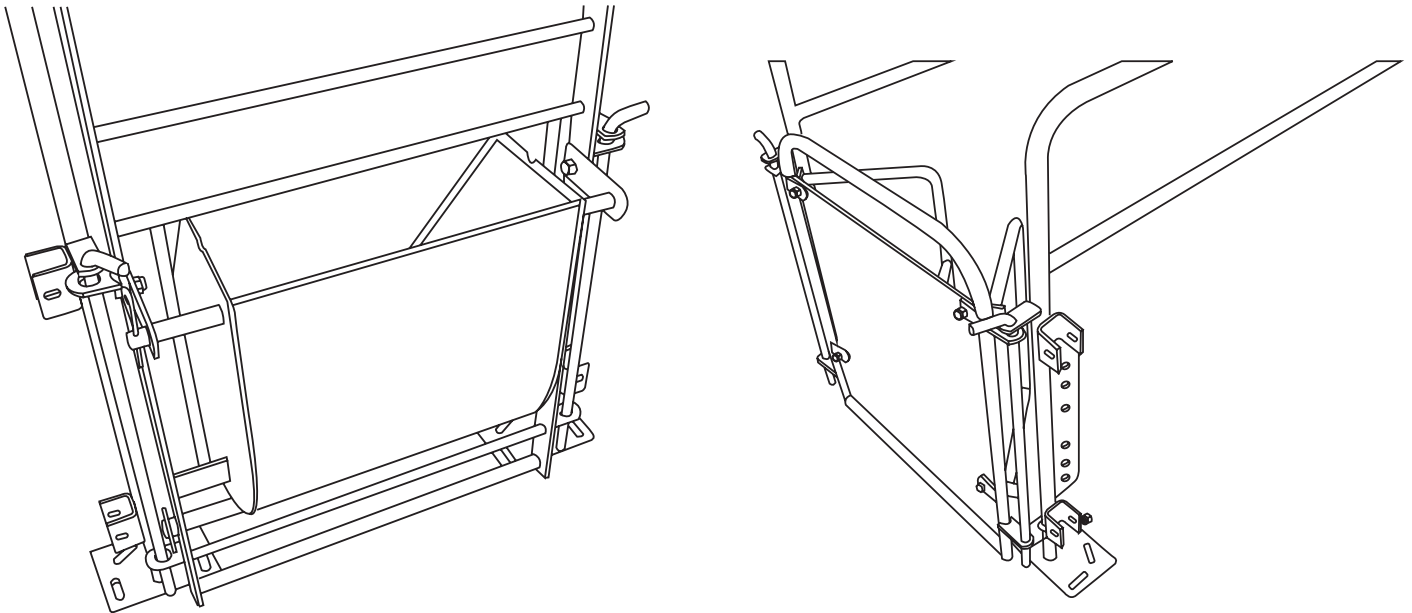


D) Locate the top and bottom feeder rods (**Illustration D3**), the rods are similar in appearance but vary in diameter. Position the stainless steel feeder (**Illustration D2**) in the front gate and slide the 3/4" rod through the gate and feeder loops on the bottom and insert hairpin clip. Slide 5/8" rod through feeder tabs and holes in feeder sides and secure with hairclip clip.

Tighten feeder tabs bolts on frame.



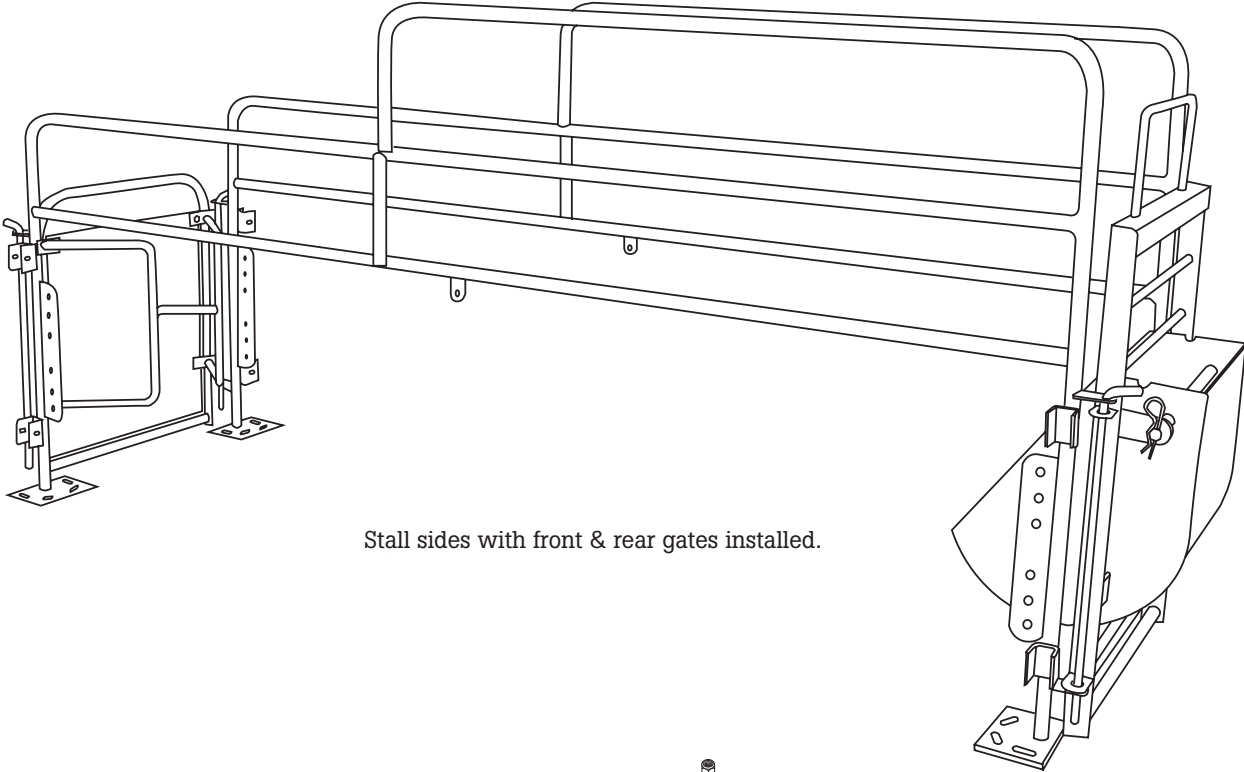
E.) Stand right and left stall sides (**Illustration A1**) about 24" apart. Note tabs on top of the side should be facing in.



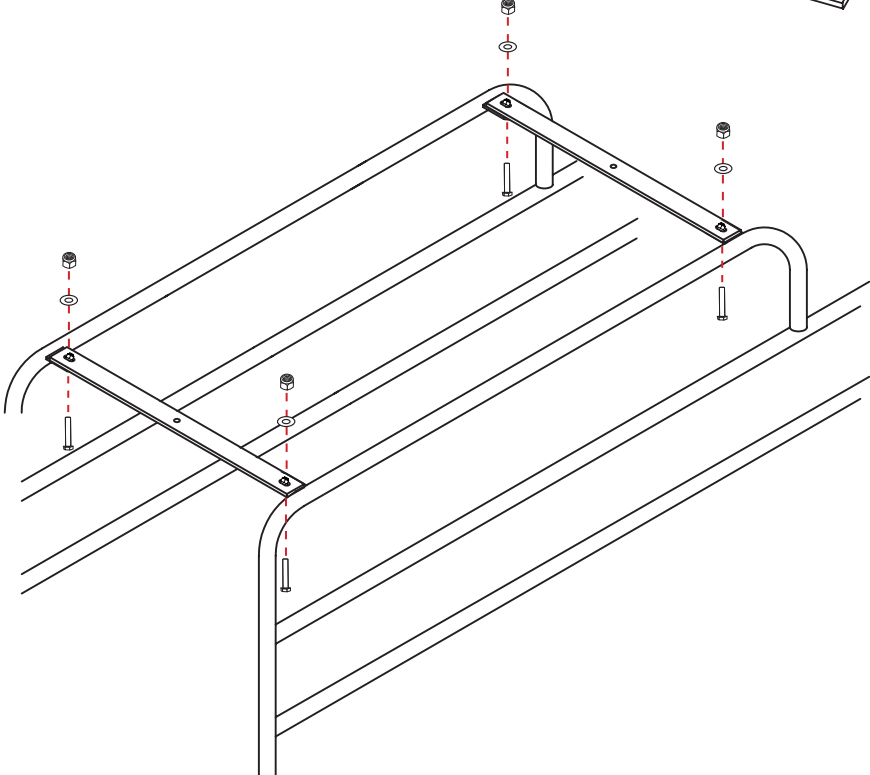
F) Attach front gate with feeder to each stall side with (2) gate rods (**Illustration H**). Next, install rear gate with rump bar with (2) gate rods (**Illustration H**).

# Advantage Crate Assembly

---

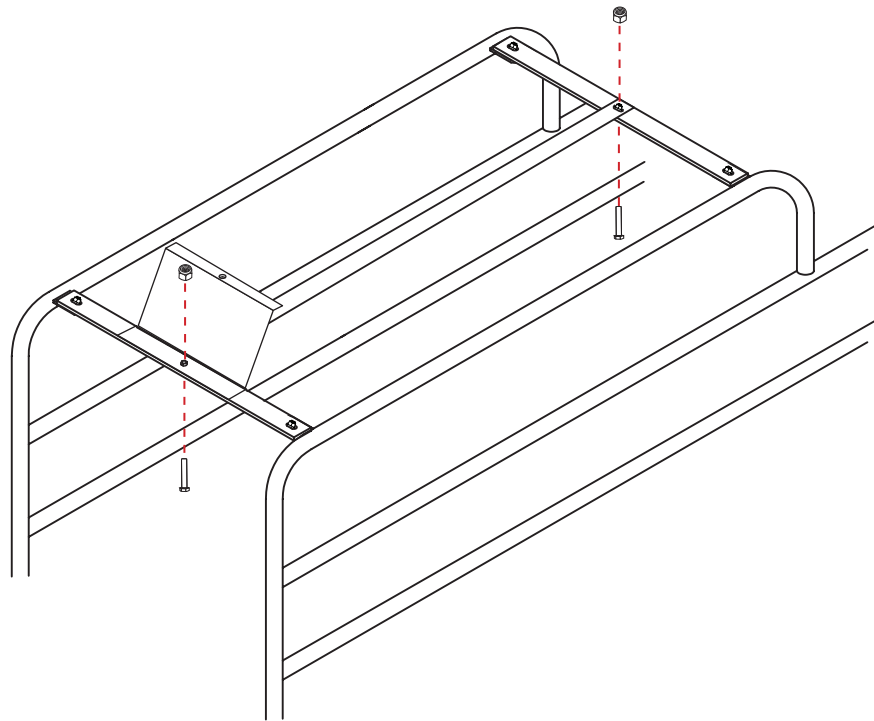


Stall sides with front & rear gates installed.

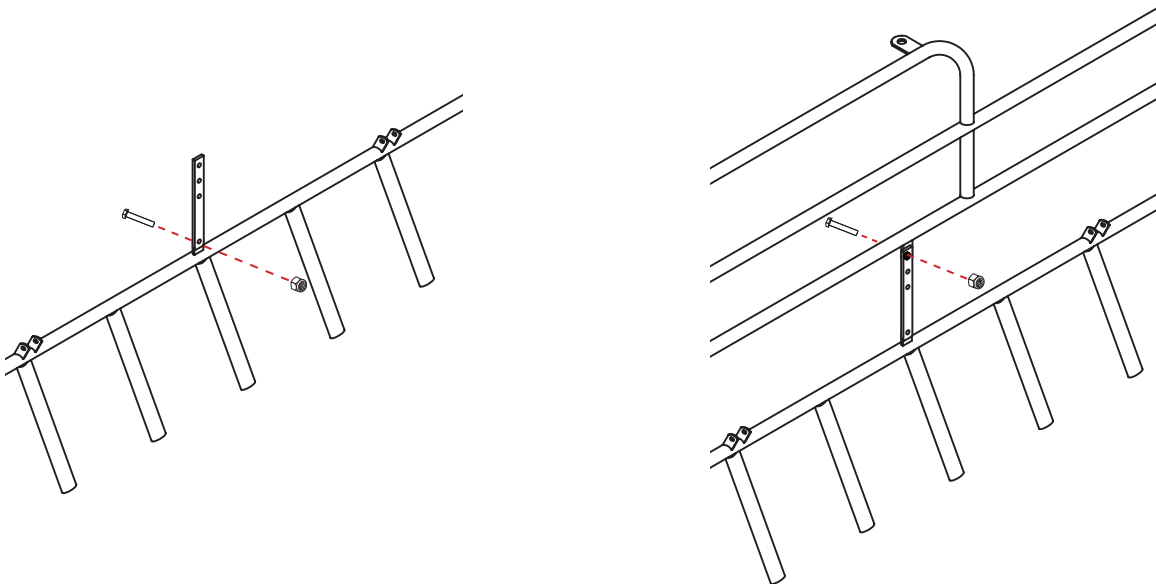


G) Install the two top cross braces (**Illustration F**), to side tabs with (4) 3/8" x 1" bolts, 3/8" washers and 3/8" locknuts.





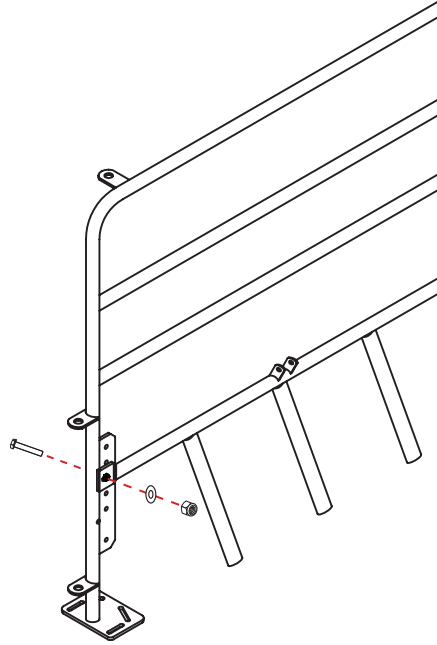
H) Install top brace (**Illustration E**) to rear cross brace with (1) 3/8" x 1" bolt and locknut. Position Chart Plate (**Illustration G**) over junction of top and cross brace and top brace and fasten with (1) 3/8" x 1" bolt and locknut.



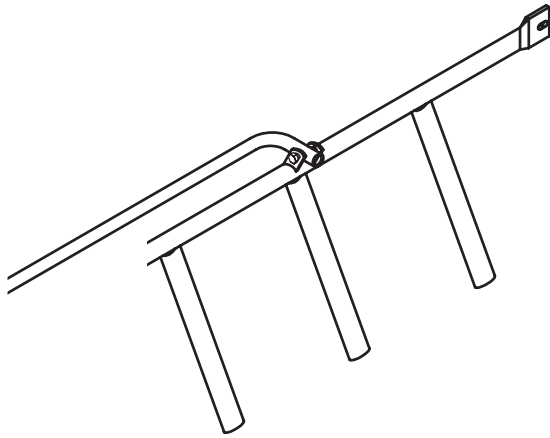
I) Attach finger bar brace (**Illustration I**) to finger bar (**Illustration B**) with (1) 3/8" x 1" bolt and locknut using single hole end. Position finger bar on crate side with (1) 3/8" x 1" bolt and locknut.

# Advantage Crate Assembly

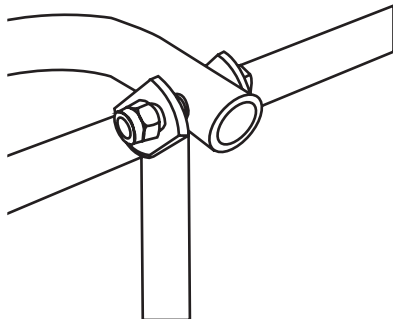
---



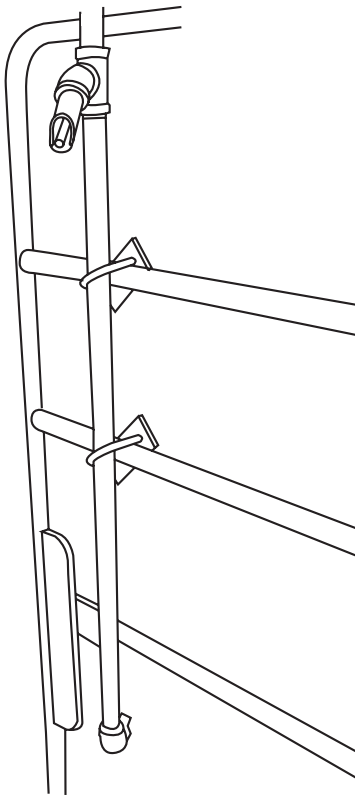
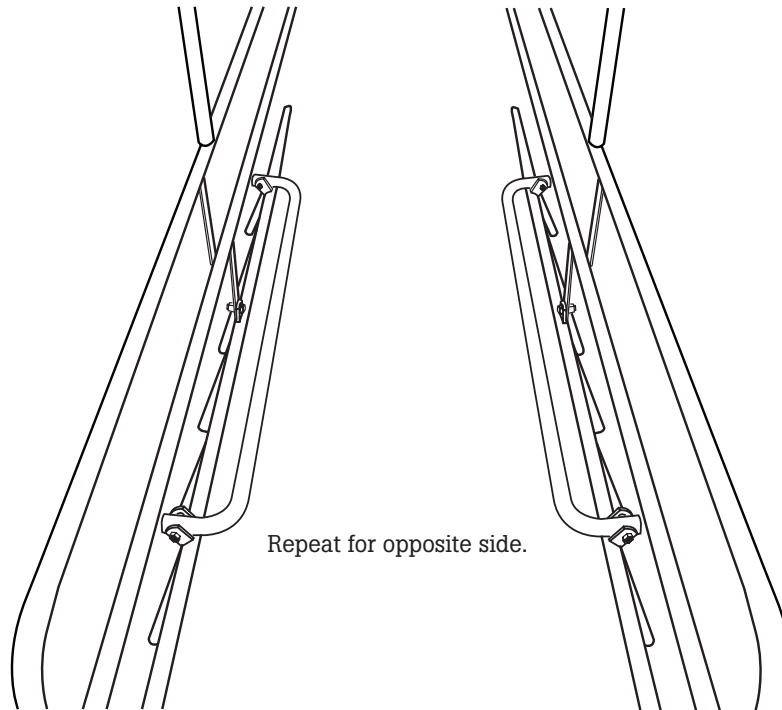
J) Fasten finger bar to side panel front and back using (2) 3/8" x 1-1/4" bolts, 3/8" x 1-1/2" washers and 3/8" locknuts.



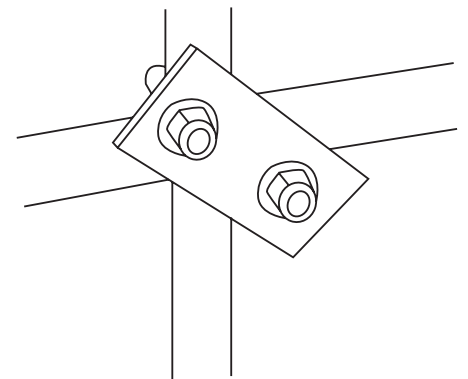
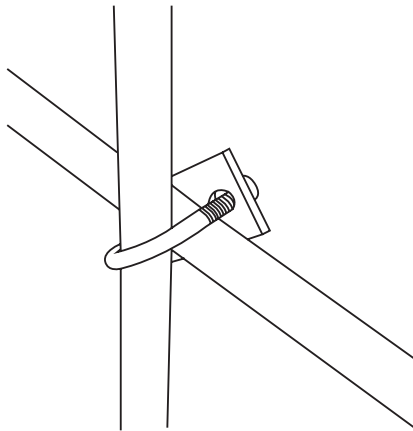
K) Install anti-crush bar (**ILLUSTRATION J**) on finger side with (2) 3/8" x 2-1/4" bolts and 3/8" locknuts.



**CAUTION:** Do not over tighten locknut. Only tighten to end of bolt to allow anti-crush bar to pivot freely.



- L) Position double nipple water bracket (**ILLUSTRATION K**) on right crate side in line with the back edge of feeder bowl. Attach to crate side with (2) back up plates and (2) U-bolts using (4) S.S. 5/16" lock nuts and (4) S.S. 5/16" x 3/4" flat washers. Mount bottom nipple 4" from floor with top nipple at a 60° angle from crate side. Tighten very securely to prevent movement by sow.





©2017 Hog Slat, Inc. All rights reserved.