

WS-52BRK Kit Replacement Butterfly 52" Galvanized Removal and Installation Manual



GrowerSELECT General Page

General Installation Notes:

Make sure that power is disconnected from system prior to servicing.

Installation of this equipment and related OEM equipment should be in accordance with these instructions, OEM's installation instructions and local codes (if applicable). Failure to follow specified instructions may cause damage to equipment and/or personal injury or death.

Take special note of any Warnings or Safety Decals on the equipment and in manuals.

Always wear protective clothing and any applicable Personal Protective Equipment (Safety Glasses and/or Ear Plugs) when working with the equipment.

Discarded materials, equipment and boxes should be recycled in accordance with local and national codes.

Safety Instructions:

Read all safety messages in this manual and on equipment safety decals. Follow recommended precautions and safe operating practices.

Ground all electrical equipment for safety.

Ground all non-current carrying metal parts to guard against electrical shock.

Always keep safety decals in good condition and replace missing or damaged decals.

Safety

Warning Labels

Warning Decals have been placed on the equipment to warn of potentially dangerous situations. Care should be taken to keep this information intact and easy to read at all times. Replace missing or damaged safety signs.

Safety–Alert Symbol

This is a safety–alert symbol. When you see this symbol on your equipment, be alert to the potential for personal injury. GrowerSelect equipment is designed to be installed and operated as safely as possible...however, hazards do exist.



Safety decals should be read and understood thoroughly by individuals within the local area of the fan. Safety decals should be visible from both the front and back of the fan. Should a decal be missing or damaged, please contact Hog Slat Inc. for a free replacement:

Hog Slat Inc.
 206 Fayetteville St.
 Newton Grove, NC 28366
 Toll Free: 800-949-4647
 Local: 910-594-0219

The below safety decal should be represented and visible on both the front and back sides of the fan. This label is identified by the HSLABEL-080 part number in the lower right corner.

WARNING – FLYING OBJECTS AND ROTATING PARTS

Ensure fan guards are in place during operation.
 Securely tighten propeller to shaft to avoid slipping.
 Disconnect power supply for inspection or service when guards are removed and personnel are exposed to propeller.

WARNING – HIGH VOLTAGE

Disconnect electrical power before inspecting or servicing equipment unless maintenance instructions specifically states otherwise.
 Ground all electrical equipment for safety.
 All electrical wiring must be done by a qualified electrician in accordance with local and national electrical codes.
 Ground all non-current carrying metal parts to guard against electrical shock. With the exception of motor overload protection, electrical disconnects and over current protection are not supplied with the equipment.



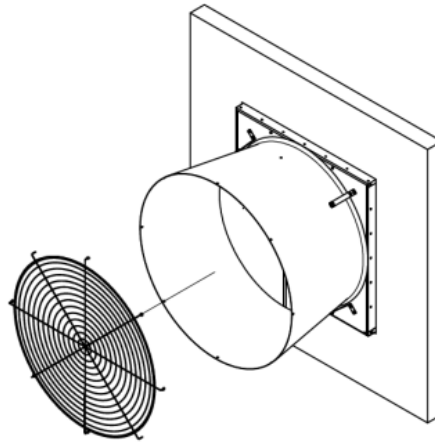
Assembly

! ENSURE ALL POWER SOURCES ARE DISCONNECTED FAN BEFORE ATTEMPTING REPLACEMENT!

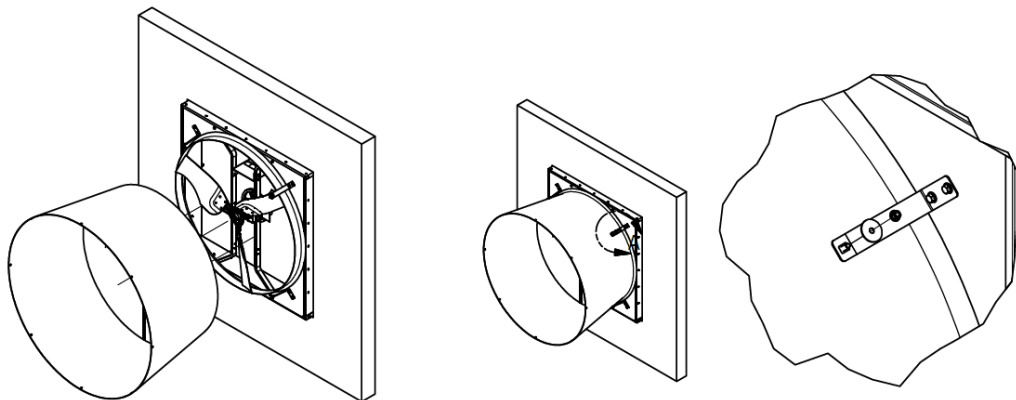
IT IS HIGHLY RECOMMENDED THAT ASSEMBLY AND INSTALLATION BE PERFORMED BY A MINIMUM OF 2 PEOPLE.

1. Remove exit guard from fan.

! Ensure to retain fasteners to replace exit guards as additional fasteners are not provided!



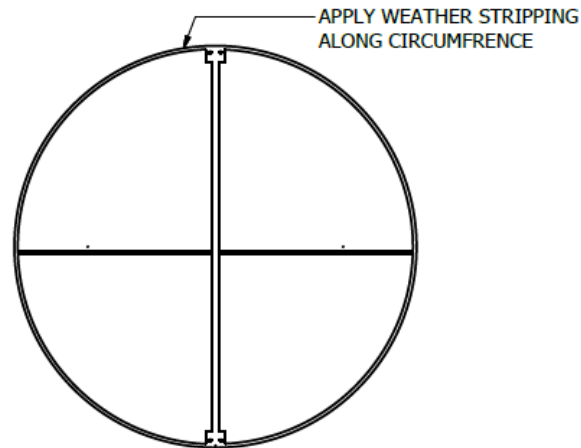
2. Remove old cone assembly from fan by removing hardware attaching cone to the 4 mounting brackets.



3. Remove old butterfly assembly from cone assembly.

! Be sure to keep cone assembly intact and it will be reused!

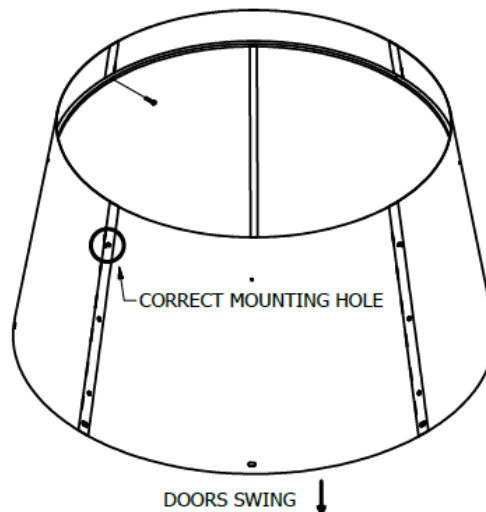
4. Remove butterfly from packaging, ensure outside circumference is free of dirt, oil, or debris. Apply adhesive weather stripping to entire surface between all mounting holes. Finally remove adhesive backing.

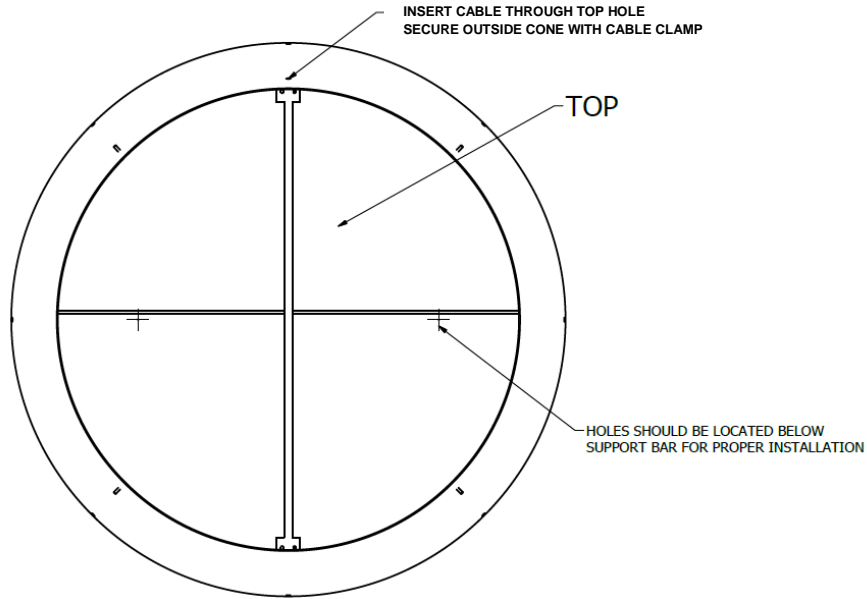


5. Insert butterfly into cone allowing the door to open towards the ground.

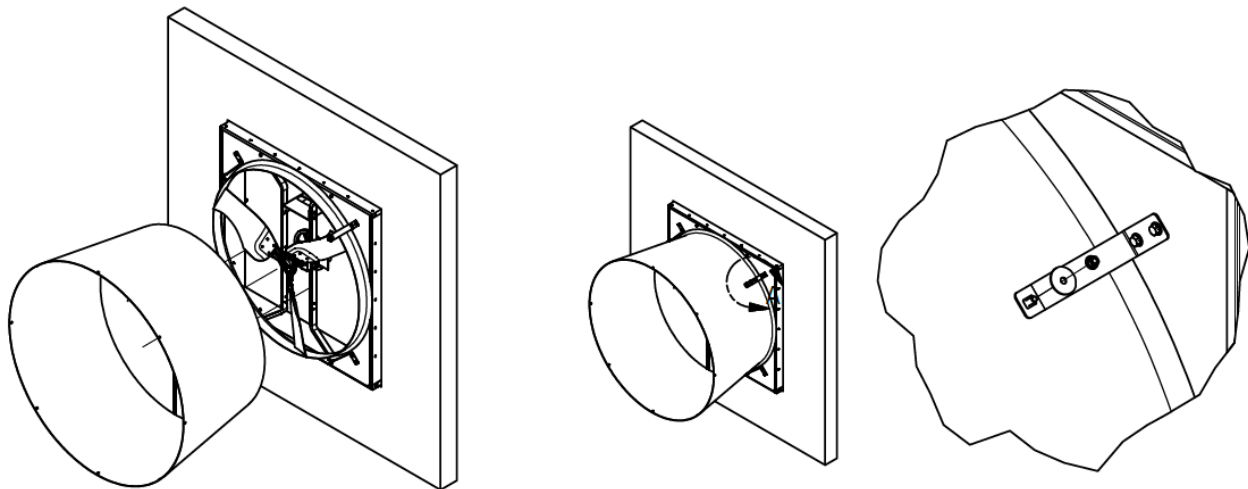
! Some cone assemblies have drain tabs located on the bottom panel, if this is the case orientation of the butterfly and cone assembly must match! See image for butterfly orientation!

Pull butterfly until 4 mounting holes align with slots on cone. Be careful to keep installed weather stripping in place during installation. Insert hex bolts from inside the butterfly protruding through the cone **(Holes in the butterfly are threaded to help with assembly)**

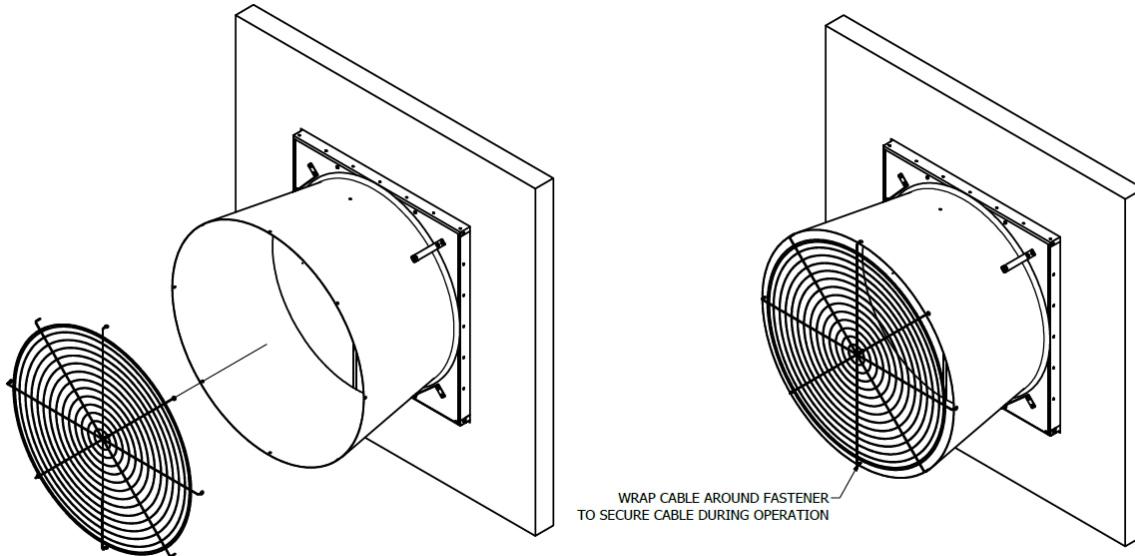




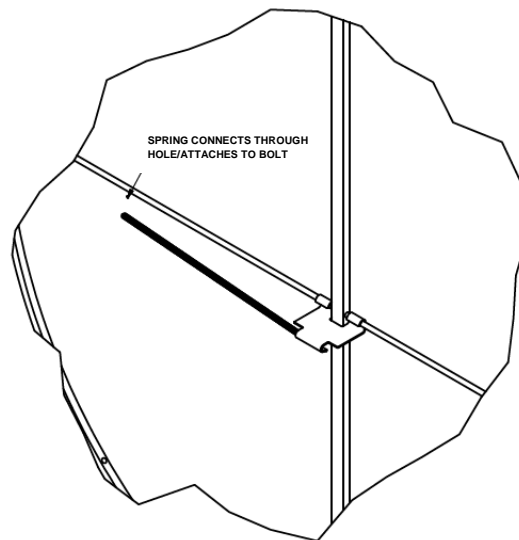
6. After assembly identify the top of the assembly and from the inside drill a $\frac{1}{4}$ " hole directly below (towards the exit of the cone) in the cone centered about the vertical support for the butterfly.
7. Insert cable through the hole and secure the end of the cable OUTSIDE the cone with supplied cable clamp.
8. Attach cone assembly to the fan using the 4 cone mounting brackets with the butterfly oriented correctly. Use washers and lock nuts to loosely secure.



9. Attach cone exit guard to the cone using supplied fasteners.
Wrap the cable around the bottom exit mounting bolt and tighten to secure cable.



10. From inside the house attach the butterfly bracket and springs to the butterfly frame and doors as shown.



! ROTATE PROP TO ENSURE ADEQUATE CLEARANCE BETWEEN PROP AND SPRINGS!

IF THERE IS INTERFERENCE ADJUST PROP LOCATION ON SHAFT

Hog Slat Limited Warranty

Hog Slat warrants products to be free from defects in material or workmanship for a period of twenty-four (24) months from the date of **original purchase**. Hog Slat will credit, repair, or replace, at its option any product deemed defective within this time period. Labor costs associated with the replacement or repair of the product are not covered by the Seller/Manufacturer.

Conditions and Limitations

1. The product must be installed by and operated in accordance with the instructions published by the **Seller/Manufacturer or Warranty will be void.**
2. Warranty is void if **all components** are not original equipment supplied by the **Seller/Manufacturer.**
3. This product must be purchased from and installed by an authorized retailer/distributor or certified representative thereof or the Warranty will be void.
4. Malfunctions or failure resulting from misuse, abuse, negligence, alteration, accident, or lack of proper maintenance shall not be considered defects under the Warranty.
5. This Warranty applies only to components/systems for the care of poultry and livestock. Other applications in industry or commerce are not covered by this Warranty.
6. This Warranty applies only to the Original Purchaser of the product.

The **Seller/Manufacturer** shall not be liable for any **Consequential or Special Damage** which any purchaser may suffer or claim to suffer as a result of any defect in the product. **“Consequential” or “Special Damages”** as used herein include, but are not limited to, lost or damaged products or goods, costs of transportation, lost sales, lost orders, lost income, increased overhead, labor and incidental costs and operational inefficiencies.

THIS WARRANTY CONSTITUTES THE SELLER/MANUFACTURER’S ENTIRE AND SOLE WARRANTY AND THIS MANUFACTURER EXPRESSLY DISCLAIMS ANY AND ALL OTHER WARRANTIES, INCLUDING, BUT NOT LIMITED TO, EXPRESS AND IMPLIED WARRANTIES AS TO MERCHANTABILITY, FITNESS FOR PARTICULAR PURPOSES SOLD AND DESCRIPTION OR QUALITY OF THE PRODUCT FURNISHED HEREUNDER.

Hog Slat Retailers/Distributors are not authorized to modify or extend the terms and conditions of this Warranty in any manner or to offer or grant any other warranties for GrowerSelect products in addition to those terms expressly stated above. An officer of Hog Slat must authorize any exceptions to this Warranty in writing. The Seller/Manufacturer reserves the right to change models and specifications at any time without notice or obligation to improve previous models.



This equipment must be installed in accordance with all State and Local Codes and applicable Regulations which should be followed in all cases. Authorities having jurisdiction should be consulted before installations are made.



**Hog Slat, Inc.
PO Box 300
Newton Grove, NC 28366**

Phone: (910) 594-0219

Fax: (910) 594-1392

www.hogslat.com

Copyright © 2016 by Hog Slat, Inc.

Part Number: HSMannual-120 Rev IR
HSART-476
Market: Poultry

