



Installation and Wiring Instructions for GrowerSelect 3-Phase 50 Hz Feed System Auger Power Drive Units

General Installation Notes:

Make sure that power is disconnected from system prior to servicing.

Installation of this equipment and related OEM equipment should be in accordance with these instructions, OEM's installation instructions and local codes (if applicable). Failure to follow specified instructions may cause damage to equipment and/or personal injury or death.

Take special note of any Warnings or Safety Decals on the equipment and in manuals.

Always wear protective clothing and any applicable Personal Protective Equipment (Safety Glasses and/or Ear Plugs) when working with the equipment.

Discarded materials, equipment and boxes should be recycled in accordance with local and national codes.

Unless otherwise specified, all Feed Delivery Systems (Diameters) are installed similarly.

Note: Power Unit is to be wired in accordance with all applicable local and country wiring codes. All wiring sizes and fuse capacities are to be sized according to applicable electrical code specifications or other regulations.

Gearbox Set-up:

The Gearbox is preassembled to motor for the more conventional application with the output shaft at top configuration. If the specific application requires: the gearbox can be rotated 180° so that shaft is a bottom.

Make sure the solid Hex Plug is always on bottom of Gearbox and Vent Plug is on top of Gearbox.

Gearbox must be filled with correct amount of specified 80-W90 Gear Oil prior to running system. Please see label on Gear Box for details. A bottle of oil is supplied with Drive Unit.

Note: Failure to fill Gear Box with proper amount of Gear Oil or failure to use proper Type of Gear Oil can result in premature unit failure

After filling Gearbox with proper type and amount of gear oil, vent plug should be assembled to the top of Gearbox.

Wire Connection:

Again, make sure that power is disconnected from system prior to servicing.

This Power Unit can be wired for either 190 Volt or 380 Volt 3-Phase 50 Hz operations. Please note wiring instruction for correct auger rotation. Please see wiring instruction on Motor Data Label for specific wiring instruction for you voltage and rotation. (See Figure 1)

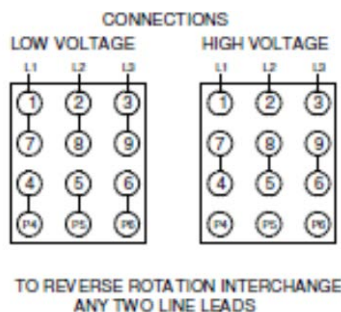


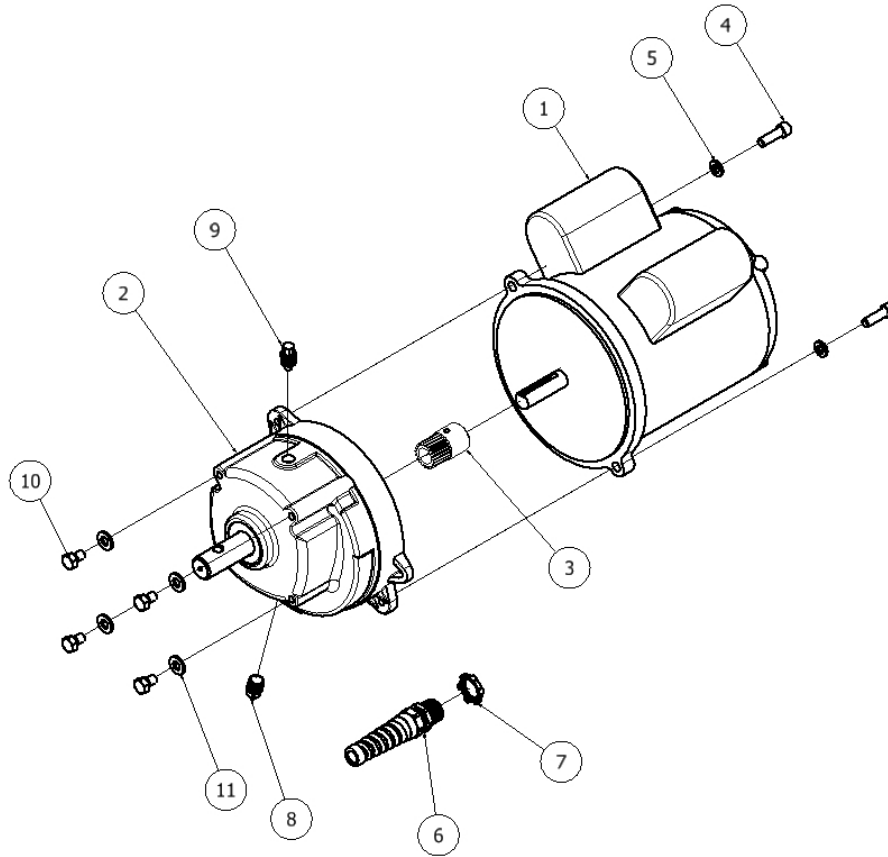
Figure 1

WARNING - ELECTRICAL SHOCK HAZARD!

- Motor replacement and the associated wiring changes should only be made by qualified and properly trained individuals.
- Failure to follow the above warning can cause improper equipment function, premature failure of equipment or electrical shock, leading to property damage or personal injury.

Drive Unit Assembly Part Numbers

<u>Part Number</u>	<u>HP (kW)</u>	<u>RPM</u>	<u>Phase</u>	<u>Hz</u>	<u>Voltage</u>	<u>Usages</u>
HS9323D2-60	1.0 HP (.75 kW)	352	Three Phase	60 Hz	208-230/460	Model 75, 90 & HR
HS9321D6-50	1/2 HP (.37 kW)	364	Three Phase	50 Hz	190/380	Model 75, 90 & HR
HS9321D7-50	1/2 HP (.37 kW)	364	Three Phase	50 Hz	190/380	Model 55 Only
HS9321D7-50P	1/2 HP (.37 kW)	364	Three Phase	50 Hz	190/380	Model 44 Poultry Feed Line Only
HS9322D6-50	3/4 HP (.55 kW)	364	Three Phase	50 Hz	190/380	Model 75, 90 & HR
HS9323D6-50	1.0 HP (.75 kW)	364	Three Phase	50 Hz	190/380	Model 75, 90 & HR
HS9323D8-50	1.0 HP (.75 kW)	213	Three Phase	50 Hz	190/380	Model 75/90 Flag and Extension
HS9324D6-50	1.5 HP (1.1 kW)	364	Three Phase	50 Hz	190/380	Model 75, 90 & HR



Power Unit

Key	Description	Quantity	Power Unit							
			HS9323D2-60	HS9321D6-50	HS9321D7-50	HS9321D7-50P*	HS9322D6-50	HS9323D6-50	HS9324D8-50	HS9324D6-50
1	Motor	1	N9323	N9321	N9321	N9321	N9322	N9323	N9324	N9324
2	GearReducer	1	HSGR002	HSGR006	HSGR007	HSGR007	HSGR006	HSGR006	HSGR008	HSGR006
3	Pinion	1	HSP04	HSP03	HSP03	HSP03	HSP04	HSP04	HSP04	HSP04
4	5/16 x 1 1/4" SHCS	2	516114	516114	516114	516114	516114	516114	516114	516114
5	5/16 Lock Washer	2	60597	60597	60597	60597	60597	60597	60597	60597
6	Connector, Water Tight	1	EL1065	EL1065	EL1065	EL1065	EL1065	EL1065	EL1065	EL1065
7	Locknut, Conduit 1/2"	1	88025	88025	88025	88025	88025	88025	88025	88025
8	Plug, Vented	1	3523	3523	3523	3523	3523	3523	3523	3523
9	Plug, Unvented	1	2755	2755	2755	2755	2755	2755	2755	2755
10	Bolt, 5/16-16 X 1/2" Zn	4	605071	605071	605071	605071	605071	605071	605071	605071
11	Washer, 5/16-Flat Zn	4	605800	605800	605800	605800	605800	605800	605800	605800

* Power Unit includes part HS538 Auger Lock and Driver for Poultry Feed Line

Part Number HSMANUAL-036 Rev A4
 HSART-079
 Market – Hog & Poultry