

GrowerSELECT[®] HS583-100 Curtain Machine Side Cover Installation Manual

1. Preparation:

Determine how cables/chains will exit the machine.

- a. If the cables/chains exit on each side of the machine, cut off the lower rectangular protrusion on each side cover using a hack saw, reciprocating saw or similar tool. This will reveal a rectangular opening for the cable/chain to exit. See Figure 2&3
- b. If both cables/chains exit on the same side then cut both protrusions on (1) side cover only. The untouched side cover will be used to cover up the non-used side of the machine. See Figure 4

Figure 1

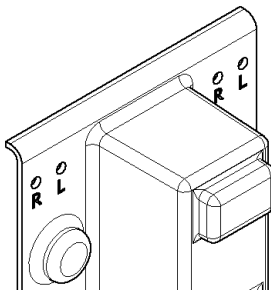


Figure 2

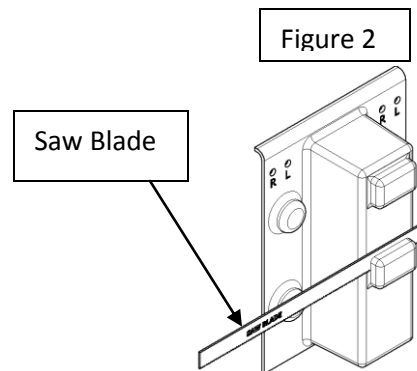


Figure 3

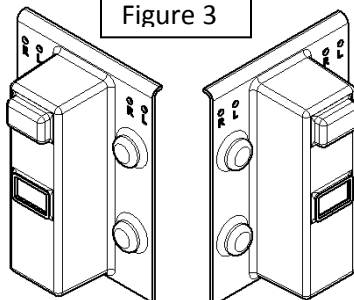
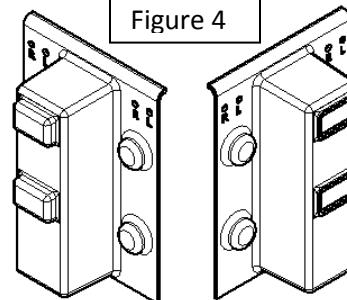
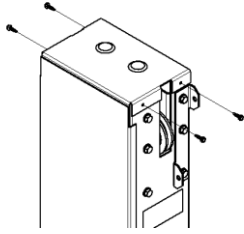


Figure 4

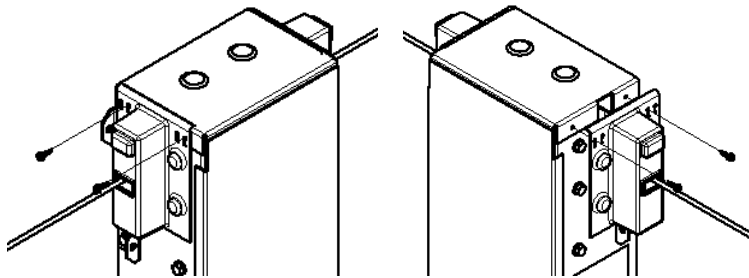


Installation:

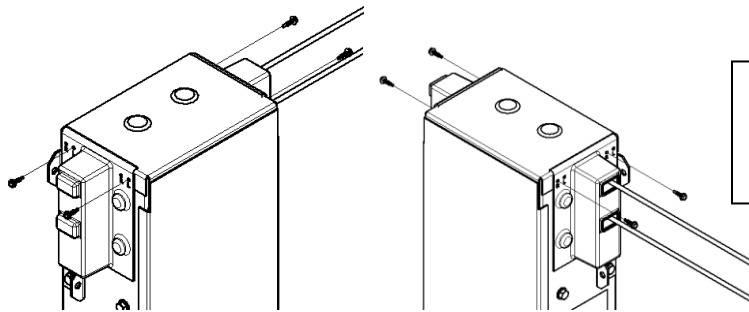
- c. Remove the top cover screws on the curtain machine and retain screws for re-installation.



- d. Install the HS583-100 covers onto the curtain machine as shown below depending upon how the cables/chains exit the machine. Align the cover over the exit slot in the machine. The existing holes in the machine will align with the holes marked "R" for the cover on the right side and the holes marked "L" for the cover on the left side of the machine.



Cables/Chains exit both sides of machine



Cables/Chains exit on one side of the machine

Hog Slat, Inc.
PO Box 300
Newton Grove, NC 28366

Phone: (910) 594-0219
Fax: (910) 594-1392

www.hogslat.com

Copyright © 2017 by Hog Slat, Inc

Part Number: HSMANUAL-132 Rev IR
Market: Hog & Poultry