

HS740 Automatic Curtain Controller

General Installation Notes:

Make sure that power is disconnected from system prior to servicing.

Installation of this equipment and related OEM equipment should be in accordance with these instructions, OEM's installation instructions and local codes (if applicable). Failure to follow specified instructions may cause damage to equipment and/or personal injury or death.

Take special note of any Warnings or Safety Decals on the equipment and in manuals.

Always wear protective clothing and any applicable Personal Protective Equipment (Safety Glasses and/or Ear Plugs) when working with the equipment.

Discarded materials, equipment and boxes should be recycled in accordance with local and national codes.

Note: Controller is to be wired in accordance with all applicable local and national electrical wiring codes. All wiring sizes and fuse capacities are to be sized according to applicable electrical code specifications or other regulations.

Safety Instructions:

Read all safety messages in this manual and on equipment safety decals. Follow recommended precautions and safe operating practices.

Ground all electrical equipment for safety.

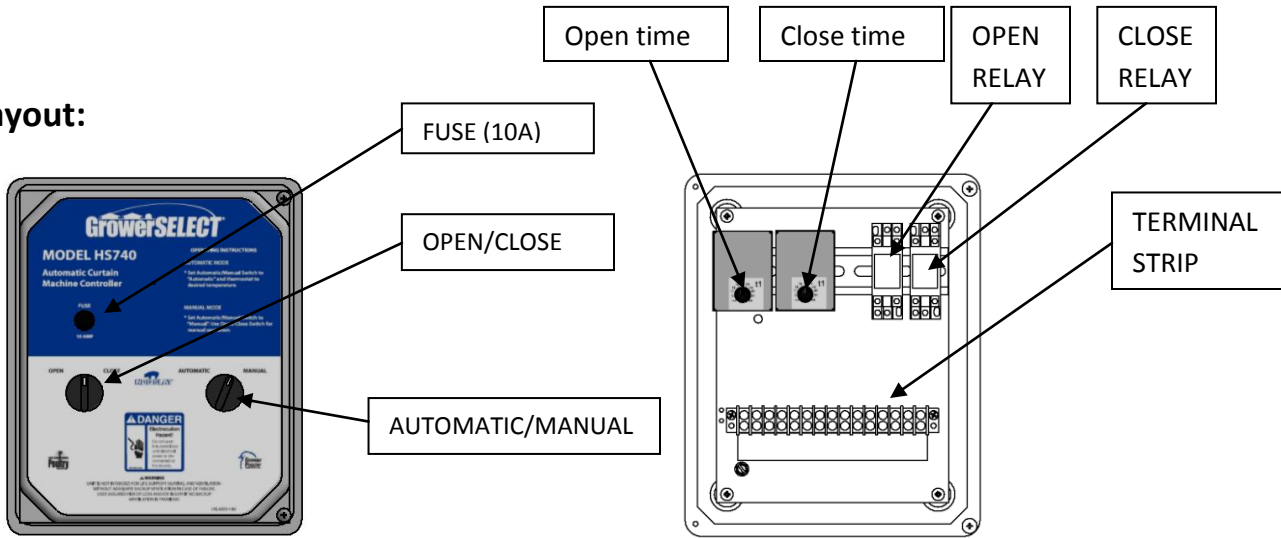
Ground all non-current carrying metal parts to guard against electrical shock.

Always keep safety decals in good condition and replace missing or damaged decals.

Overview:

The HS740 Automatic Curtain Controller is used to control up to two curtain machines or linear actuators in order to regulate the temperature inside a room. The controller will either open or close curtains or vents depending upon requirements from a connected thermostat or control input. Utilizing a built-in 5 minute timer the controller reacts to the thermostat/control input every 5 minutes whether to open or close ventilation. Open and Close times of the curtain machine/actuator are adjustable using the two dial indicators inside the controller cabinet. Operation times are adjustable from 0.6 to 60 seconds.

Layout:



Operation:

The HS740 has two operating modes selectable by a front panel switch.

A. "Automatic" mode:

In this mode the controller will open or close the ventilation based on the requirement of the thermostat/control input. Every 5 minutes the controller will either Open or Close the ventilation actuator for the time set on dials found on each face of the timers inside the enclosure. Table below indicates time settings and resulting travel distance of a HS583 series curtain machine.

Example: 30 RPM HS583 series curtain machine. Winching ratio 1:2
 HS740 timer set to 30 seconds. Travel distance of curtain will be **6 inches**.

RPM	Travel Distance per 10 seconds of run time. (Curtain Winching Ratio 1:2)
15	1 inches
30	2 inches
60	4 inches

B. "Manual" mode:

Switch front panel selector switch to "Manual" mode. The controller will bypass the thermostat/control input. The curtain machine/actuator can then be controlled by the "OPEN/CLOSE" selector switch located on the front panel.

Electrical Specifications:

Supply Voltage: 120VAC @ 50/60 Hz .

Output Contact Rating: 8A max per circuit. Two circuits provided identified as "Unit 1" and "Unit 2" to connect up to two curtain machines or linear actuators.

DO NOT CONNECT MORE THAN ONE CURTAIN /ACTUATOR MACHINE PER CIRCUIT.

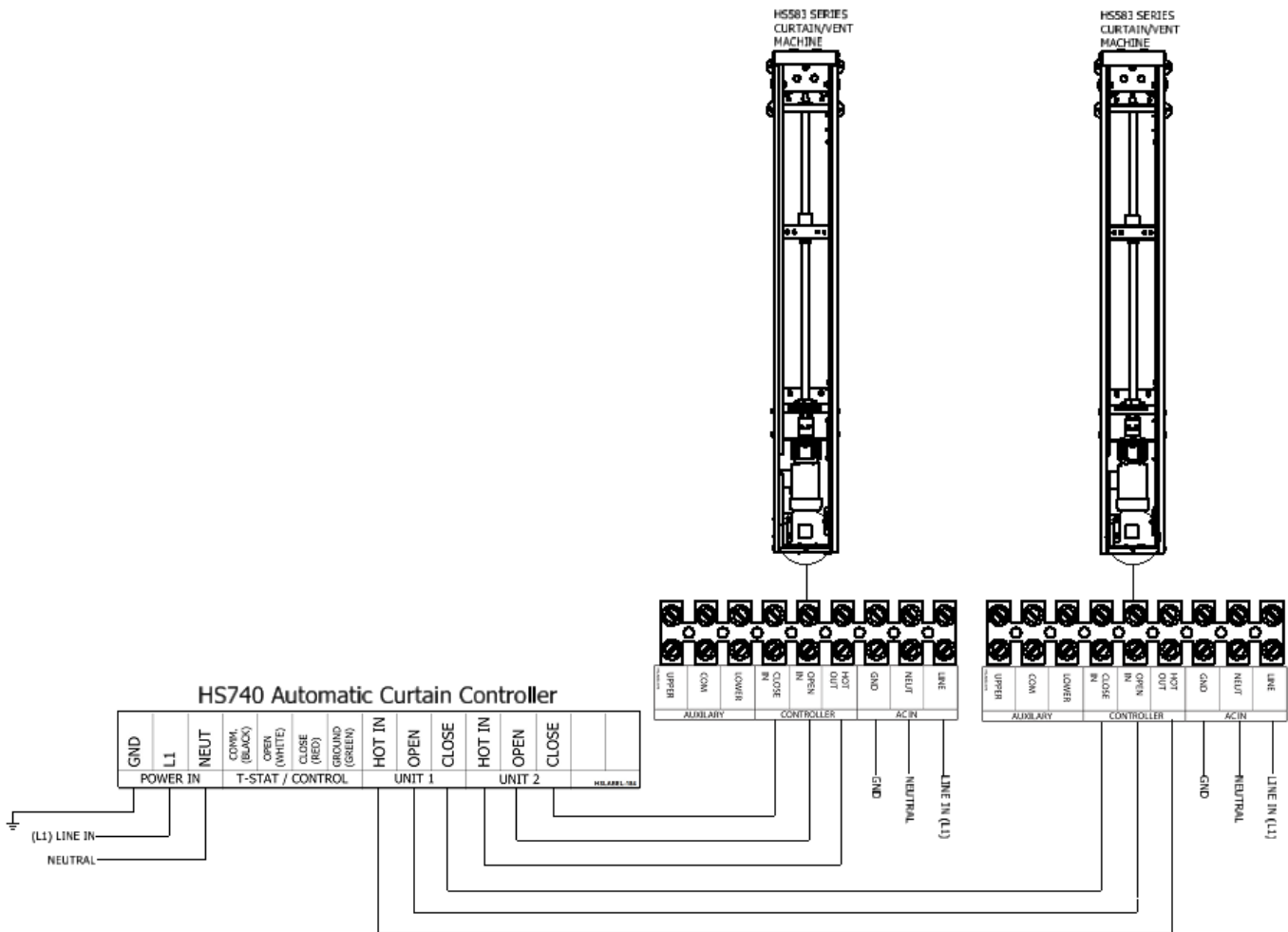
Electrical Connections: Screw terminals. Use 75°C COPPER CONDUCTORS ONLY.

Installation Instructions:

1. Select location to mount controller. Location should provide adequate ventilation, and safe and easy access.
2. The controller is recommended to be mounted vertically.
3. Mount controller using the four mounting holes found on the outside corners of the enclosure.
4. Wire controller per wiring instructions below. Installation of liquid tight connectors or non-metallic conduit through bottom of enclosure is recommended. DO NOT DRILL HOLES IN TOP OF ENCLOSURE.

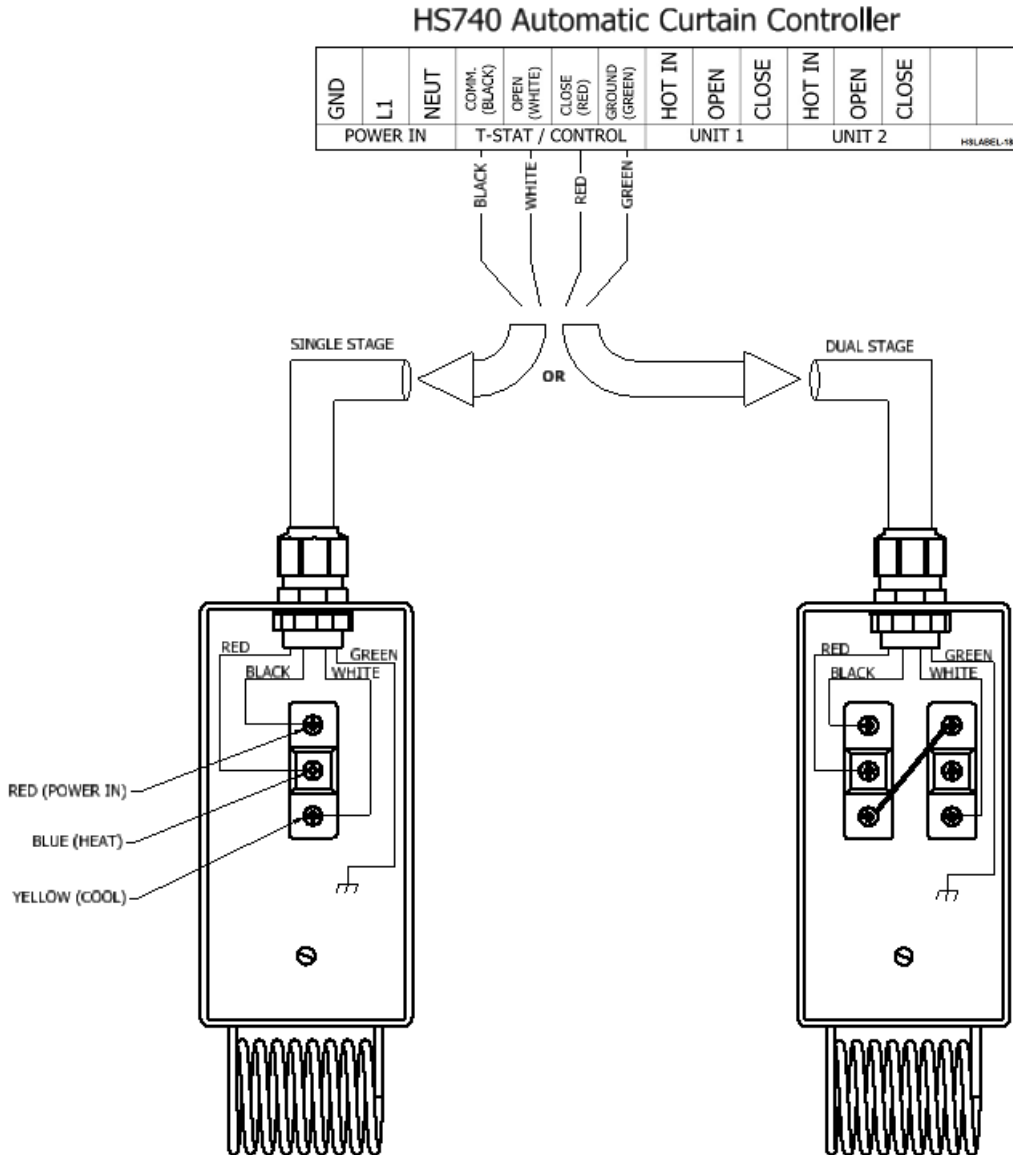
Wiring Instructions:

A. Output to HS583 Series curtain machine



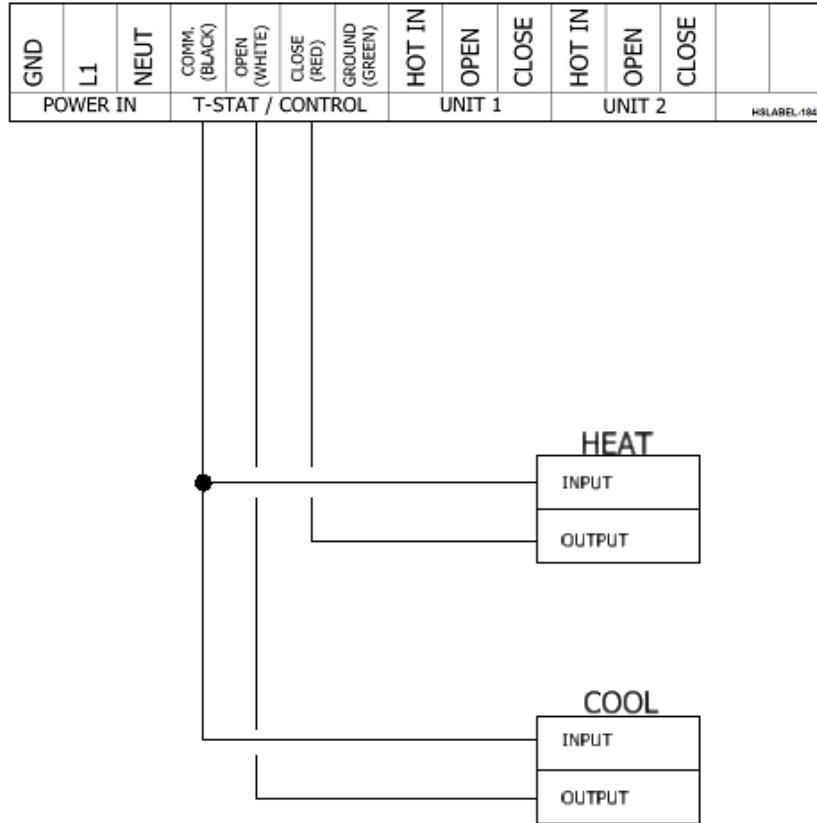
B. Input Signal Connections

1. Thermostat

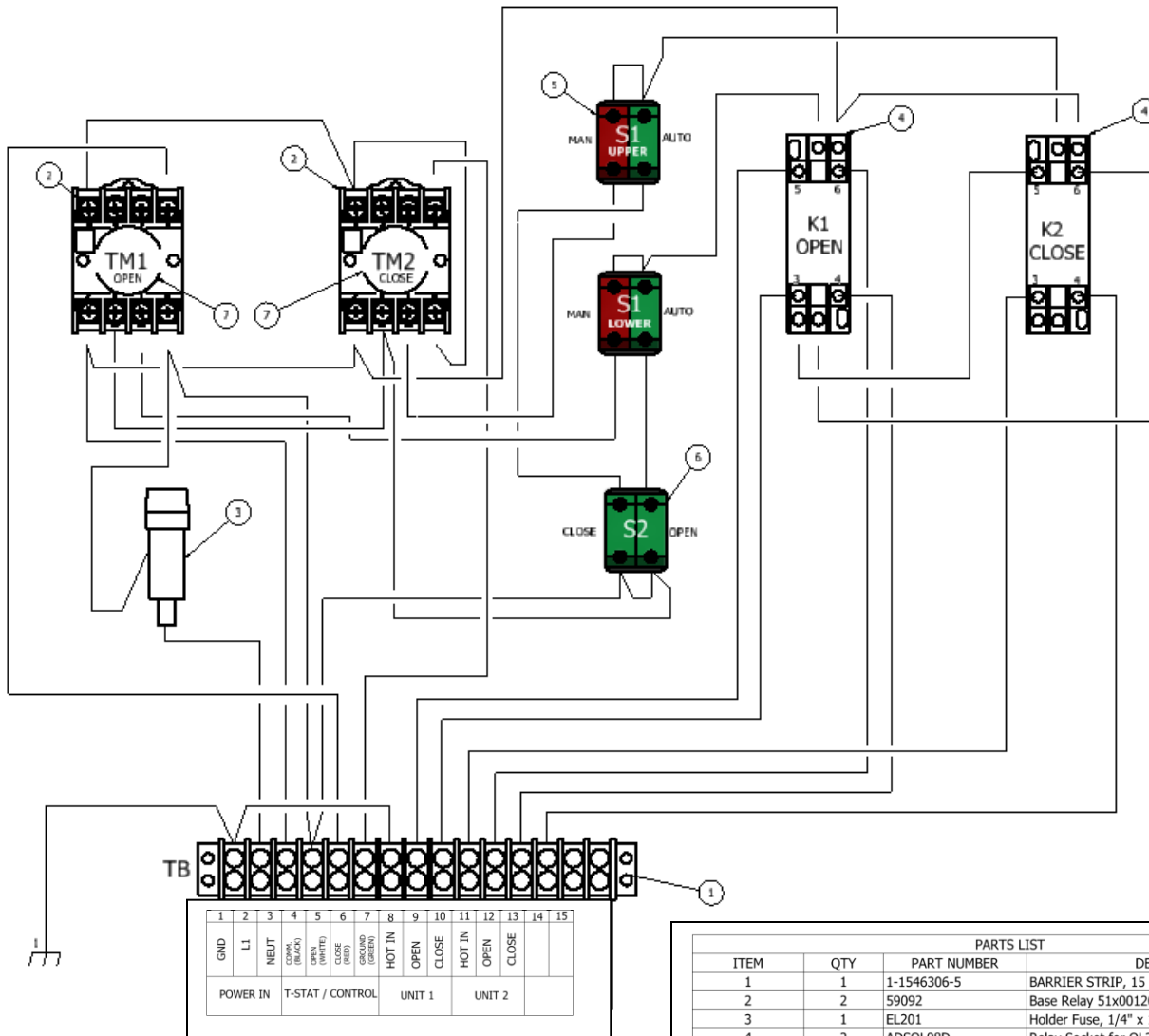


2. Control Input (Stages)

HS740 Automatic Curtain Controller



Wiring Diagram / Parts List:



PARTS LIST			
ITEM	QTY	PART NUMBER	DESCRIPTION
1	1	1-1546306-5	BARRIER STRIP, 15 POSITION
2	2	59092	Base Relay 51x00120 8 Pin
3	1	EL201	Holder Fuse, 1/4" x 1 1/4" fuse
4	2	ADSQL08D	Relay Socket for QL2 Series
5	1	ADGCX3300	2 POSITION, 22MM SWITCH
6	1	ADGCX3320-22	22MM SWITCH, 3 position
7	2		CYCLE TIMER ,5 MINUTE WITH ADJ. OFF TIME
8	1	EL1015	RELAY, DPDT 120VAC COIL

Hog Slat Limited Warranty

Hog Slat warrants products to be free from defects in material or workmanship for a period of twenty-four (24) months from the date of **original purchase**. Hog Slat will credit, repair, or replace, at its option any product deemed defective within this time period. Labor costs associated with the replacement or repair of the product are not covered by the Seller/Manufacturer.

Conditions and Limitations

1. The product must be installed by and operated in accordance with the instructions published by the **Seller/Manufacturer or Warranty will be void.**
2. Warranty is void if **all components** are not original equipment supplied by the **Seller/Manufacturer.**
3. This product must be purchased from and installed by an authorized retailer/distributor or certified representative thereof or the Warranty will be void.
4. Malfunctions or failure resulting from misuse, abuse, negligence, alteration, accident, or lack of proper maintenance shall not be considered defects under the Warranty.
5. This Warranty applies only to components/systems for the care of poultry and livestock. Other applications in industry or commerce are not covered by this Warranty.
6. This Warranty applies only to the Original Purchaser of the product.

The **Seller/Manufacturer** shall not be liable for any **Consequential or Special Damage** which any purchaser may suffer or claim to suffer as a result of any defect in the product. *“Consequential” or “Special Damages” as used herein include, but are not limited to, lost or damaged products or goods, costs of transportation, lost sales, lost orders, lost income, increased overhead, labor and incidental costs and operational inefficiencies.*

THIS WARRANTY CONSTITUTES THE SELLER/MANUFACTURER’S ENTIRE AND SOLE WARRANTY AND THIS MANUFACTURER EXPRESSLY DISCLAIMS ANY AND ALL OTHER WARRANTIES, INCLUDING, BUT NOT LIMITED TO, EXPRESS AND IMPLIED WARRANTIES AS TO MERCHANTABILITY, FITNESS FOR PARTICULAR PURPOSES SOLD AND DESCRIPTION OR QUALITY OF THE PRODUCT FURNISHED HEREUNDER.

Hog Slat Retailers/Distributors are not authorized to modify or extend the terms and conditions of this Warranty in any manner or to offer or grant any other warranties for GrowerSelect products in addition to those terms expressly stated above. An officer of Hog Slat must authorize any exceptions to this Warranty in writing. The Seller/Manufacturer reserves the right to change models and specifications at any time without notice or obligation to improve previous models.

This equipment must be installed in accordance with all State and Local Codes and applicable Regulations which should be followed in all cases. Authorities having jurisdiction should be consulted before installations are made.



**Hog Slat, Inc.
PO Box 300
Newton Grove, NC 28366**

**Phone: (910) 594-0219
Fax: (910) 594-1392**

www.hogslat.com

Copyright © 2018 by Hog Slat, Inc.