

 **HSFLT-24**  
**Hog Slat FasLock Transition 24”**

---

**General Installation Notes:**

Make sure that power is disconnected from system prior to servicing.

Installation of this equipment and related OEM equipment should be in accordance with these instructions, OEM's installation instructions and local codes (if applicable). Failure to follow specified instructions may cause damage to equipment and/or personal injury or death.

Take special note of any Warnings or Safety Decals on the equipment and in manuals.

Always wear protective clothing and any applicable Personal Protective Equipment (Safety Glasses and/or Ear Plugs) when working with the equipment.

Discarded materials, equipment and boxes should be recycled in accordance with local and national codes.

**Safety Instructions:**

Read all safety messages in this manual and on equipment safety decals. Follow recommended precautions and safe operating practices.

Ground all electrical equipment for safety.

Ground all non-current carrying metal parts to guard against electrical shock.

Always keep safety decals in good condition and replace missing or damaged decals.

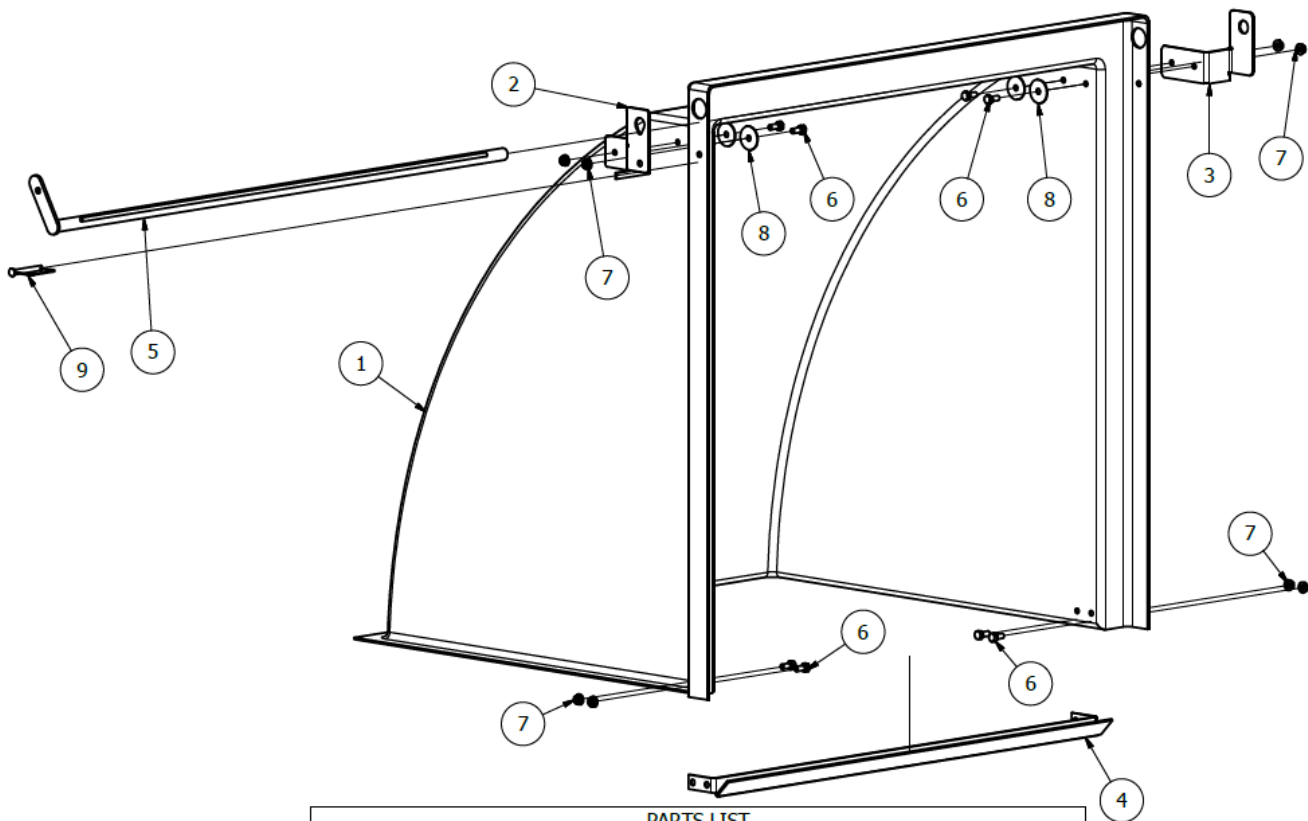
**Overview:**

Utilize FasLock Transition to minimize maintenance time when cleaning or maintaining pit fans. Fast detach allows for increase in productivity and decrease in time and cost.

### Installation:

Follow exploded diagram below for installation instructions. All holes in poly transition hoods come predrilled to for a predetermined installation height. For Fiberglass Transitions brackets can be used and drilling fixtures. Finally assembly dimensions should be checked prior to drilling.

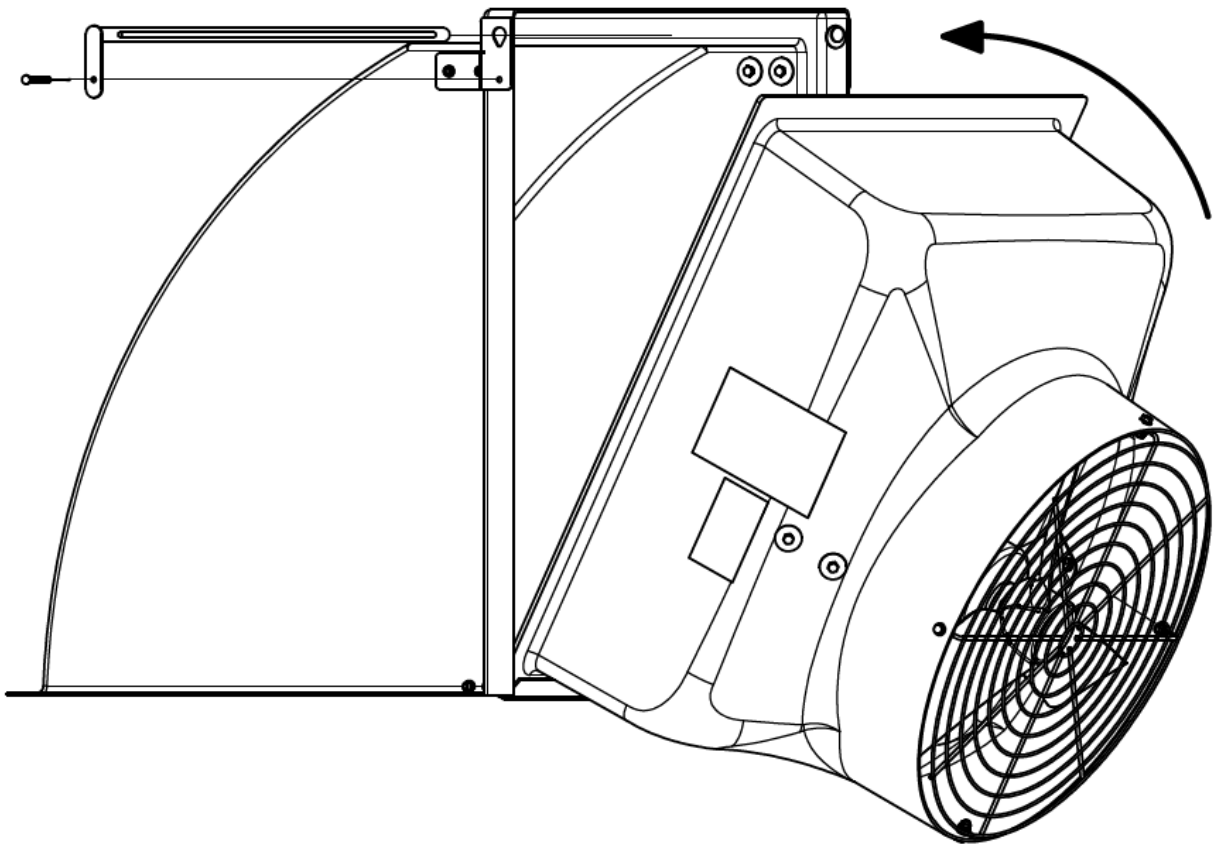
**! DUE TO VARIATIONS IN FINISH DIMENSIONS, ADDITIONAL LOWER MOUNTING HOLES MAY BE REQUIRED TO ALLOW FOR PROPER SEAL OF FAN SHROUD TO TRANSITION. BRACKET HSFLT24-103 MAY BE USED AS A TEMPLATE ONCE DESIRED INSTALLATION HEIGHT IS ESTABLISHED!**



PARTS LIST			
ITEM	QTY	PART NUMBER	DESCRIPTION
1	1	628062P	Transition Hood 24" Poly
2	1	HSFLT-101	Bracket Alginment, Quick Lock Transition Left
3	1	HSFLT-102	Bracket Alginment, Quick Lock Transition Right
4	1	HSFLT24-103	Base, Quick Lock Transition 24"
5	1	HSFLT24-200	Rod, Securing Quick Lock Transition
6	8	605082	Bolt Hex Cap 5/16-18 X 3/4" SS
7	8	606240	Nut Serrated Hex Flange 5/16"-18 SS
8	4	605803	Washer Fender Ss 5/16" X 1 1/2"
9	1	60636	Pin Pto 2" 5/16" X 2 1/2"

In rare instances it may be required for the mounting flange on the housing to be modified to ensure proper fit.

To install fan simply remove securing rod, place bottom flange of fan in V-Grove base, rotate fan housing and replace securing rod. Lock in place with locking pin.



This equipment must be installed in accordance with all State and Local Codes and applicable Regulations which should be followed in all cases. Authorities having jurisdiction should be consulted before installations are made.



Hog Slat, Inc.  
PO Box 300  
Newton Grove, NC 28366

Phone: (910) 594-0219  
Fax: (910) 594-1392

[www.hogslat.com](http://www.hogslat.com)

Copyright © 2016 by Hog Slat, Inc.

Part Number: HSMANUAL-075 Rev A1  
HSART-418  
Market: Hog